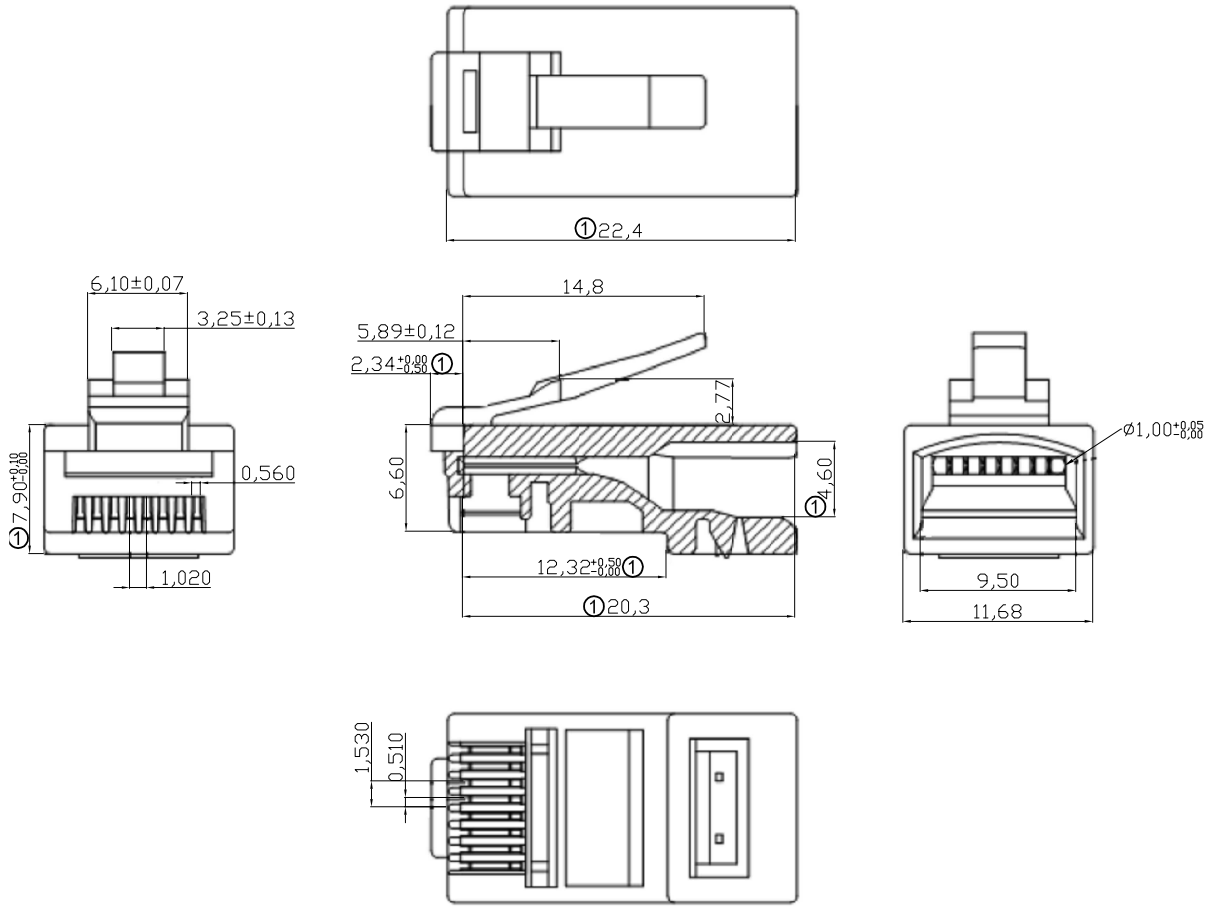


A
B
C
D
E
F

A
B
C
D
E
F



Specifications:

Material:
 Housing: Poly Carbonate(PC) UL94V-2
 Contact: Phosphor Bronze with 2 prongs
 Plating: 6u" gold plated
 100u" Nickel under plated
 Operating temperature: -40°C to +125°C

Electrical:
 Current rating: 250V AC max. at 2A
 Dielectric: 500V AC
 Insulation resistance: 500MΩ
 Termination resistance: 35mΩ max after environmental tests
 Tensile strength: 20 LBS (89N) min.
 Durability: 500 mating cycles

Complies with FCC68/F
 ② Wire gauge: 30AWG-24AWG Stranded wire
 Cable OD size: round cable 3.0~5.5mm
 Wire size: 0.95±0.05mm

RoHS compliant
Unit: mm

Scale	Free						Date	Name	Customer-No.
TOLERANCE						Drawn	04.06.2014	Joanna	
X.X	±0.20					Approved	03.04.2019	Amy	
X.XX	±0.10								ASSMANN WSW-No.
X.XXX	±0.05	②	Add cable wire size information	03.04.2019	Amy				A-MO 8/8-SR
DIM	TOL	①	Update dimensions	18.05.2017	Amy			Drawing-No.	
		③	Drawn	04.06.2014	Joanna			ASS 6402 CO	rev02
Angle	±2°	④				Replace		Sheet	
Angle	TOL	Id.	Modification	Date	Name				

G
H