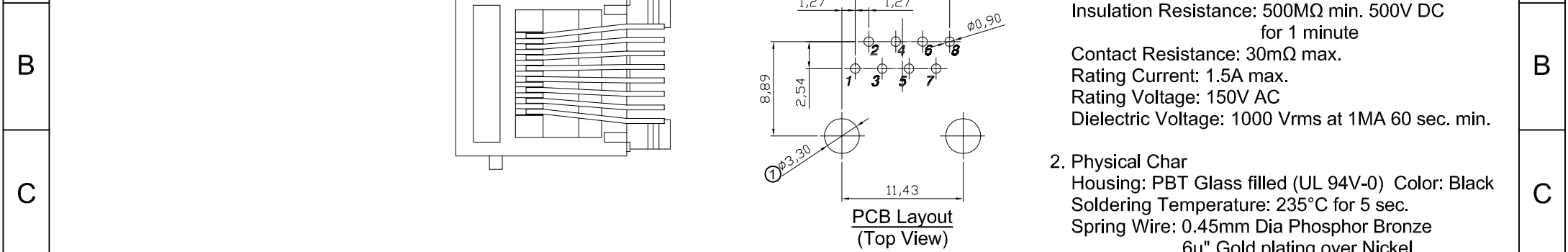
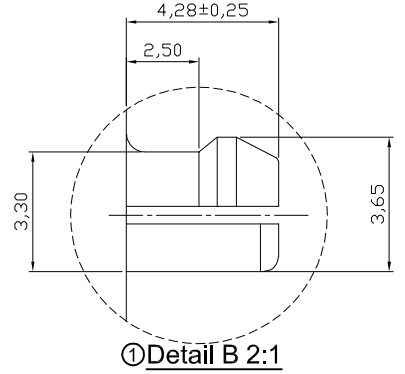
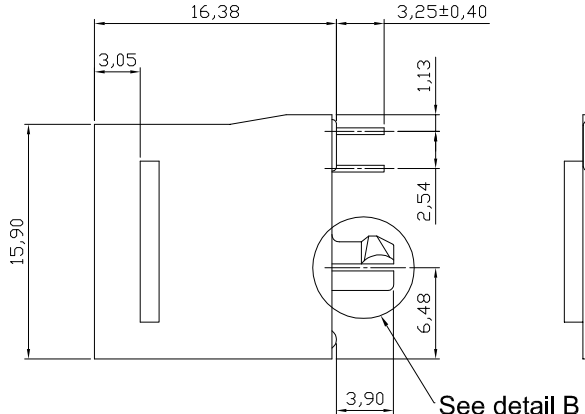
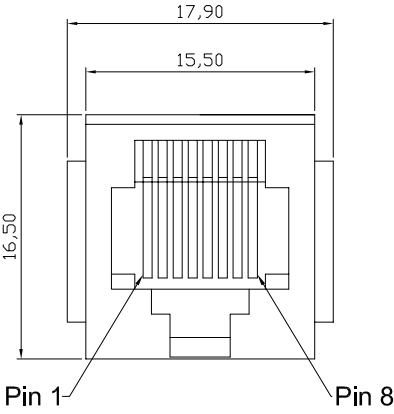
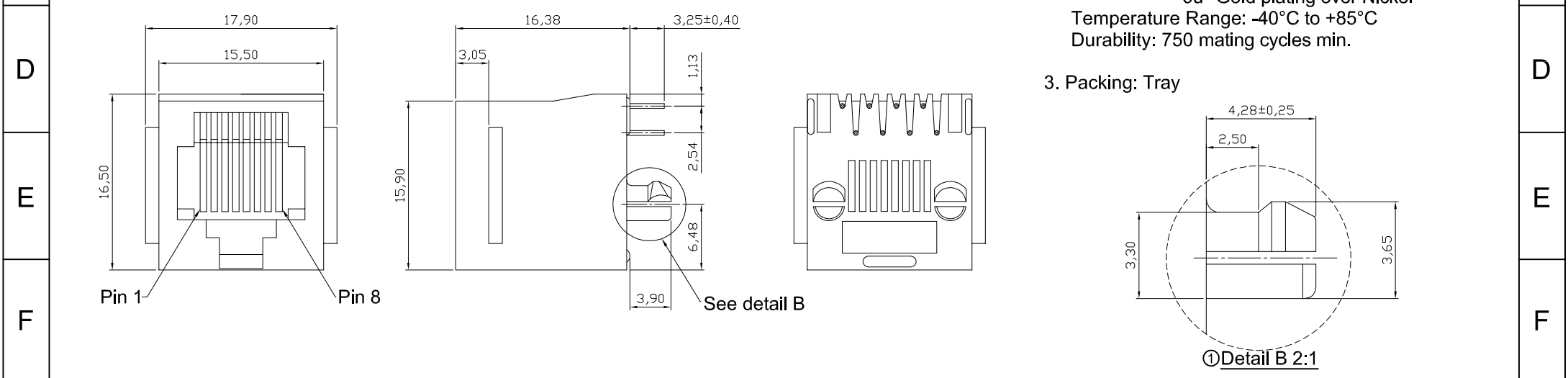


**Specification:**

- 1. Electrical Char
  - Insulation Resistance: 500MΩ min. 500V DC for 1 minute
  - Contact Resistance: 30mΩ max.
  - Rating Current: 1.5A max.
  - Rating Voltage: 150V AC
  - Dielectric Voltage: 1000 Vrms at 1MA 60 sec. min.
- 2. Physical Char
  - Housing: PBT Glass filled (UL 94V-0) Color: Black
  - Soldering Temperature: 235°C for 5 sec.
  - Spring Wire: 0.45mm Dia Phosphor Bronze
  - 6u" Gold plating over Nickel
  - Temperature Range: -40°C to +85°C
  - Durability: 750 mating cycles min.



**PCB Layout (Top View)**



**RoHS compliant**  
Unit:mm

Scale	Free					Date	Name	Customer-No.	
TOLERANCE					Drawn	28.10.2015	Amy		
.XX	±0.20				Approved	17.07.2018	Amy	ASSMANN WSW-No.	
.XXX	±0.13							<b>A-2014-2-4-R</b>	
.XXXX	±0.05							Drawing-No.	
DIM	TOL	①	Correct PCB size and add detail B	17.07.2018	Amy	<b>ASSMANN</b> WSW components		<b>ASS 7043 CO</b>	rev01
		②	Drawn	28.10.2015	Amy			Replace	SHEET
Angle	+0°30'	Id.	Modification	Date	Name				