

**Specification:**

**1. Electrical Char**

Insulation Resistance: 500MΩ min. 500V DC  
for 1 minute

Contact Resistance: 20mΩ max.

Rating Current: 1.5A max.

Rating Voltage: 120V AC

Dielectric Voltage: 1000 Vrms at 1MA 60 sec. min.

**2. Physical Char**

Housing: PBT Glass filled (UL 94V-0) Color: Black

Soldering Temperature: 235°C for 5 sec.

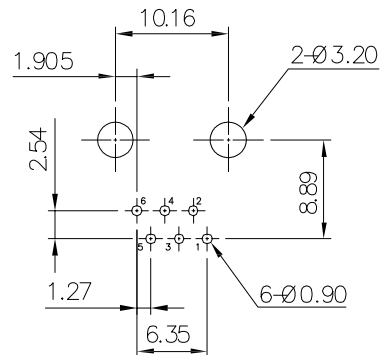
Spring Wire: 0.45mm Dia Phosphor Bronze

6u" Gold plating over Nickel

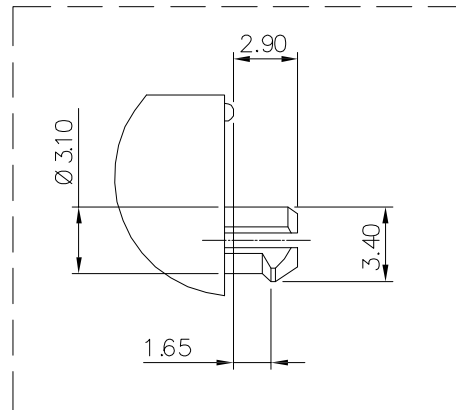
Temperature Range: -40°C to +85°C

Durability: 500 mating cycles min.

**3. Packing: Tray**



PCB LAYOUT  
(Top View)



A(2:1)

**RoHS compliant**  
Unit:mm

Scale	Free					Date	Name	Customer-No.
TOLERANCE					Drawn	12.06.2017	Amy	
.XX	±0.20				Approved	12.06.2017	Amy	ASSMANN WSW-No.
.XXX	±0.13							<b>A-2014-1-4-N-T-R</b>
.XXXX	±0.05							Drawing-No.
DIM	TOL				<b>ASSMANN</b> WSW components		<b>ASS 7328 CO</b>	rev00
		①	Drawn	12.06.2017			Amy	Replace
Angle	+0°30'	Id.	Modification	Date	Name			

1

2

3

4

5

6

7