

1

2

3

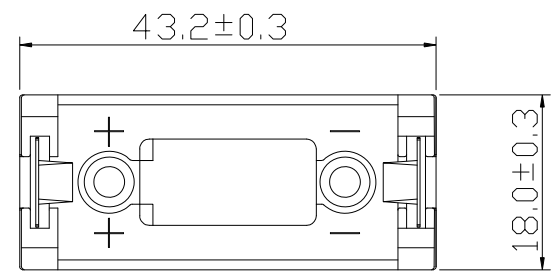
4

5

6

7

A



NOTE:

1.MATERIAL

1.1 Base: Heat Resistance Nylon,UL94V-0

1.2 Contact: 0.30mm Thickness Spring Steel,Nickel Plated

2.Packing: Tray / Tape & Reel

Order Code:A-BAT-BH-B3-EA-CRx1

P:Tray

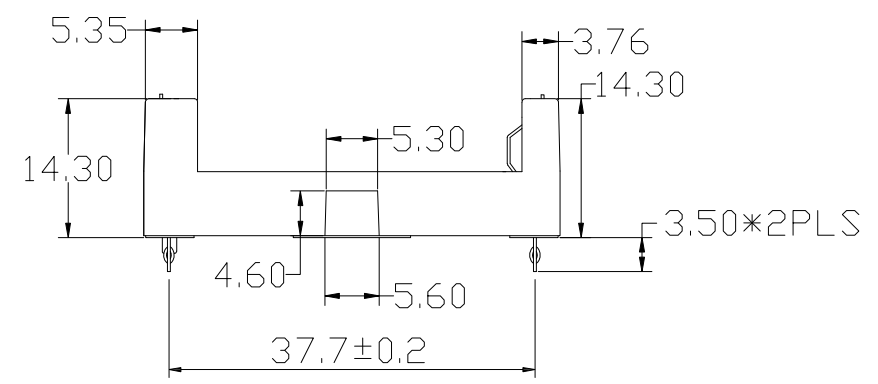
R:Tape & Reel

A

B

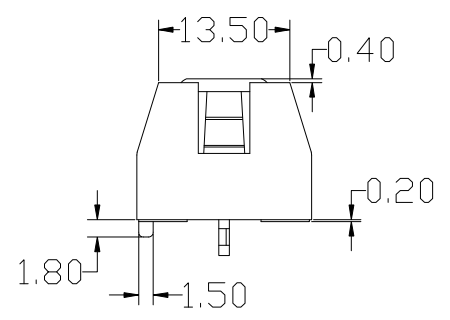
B

C



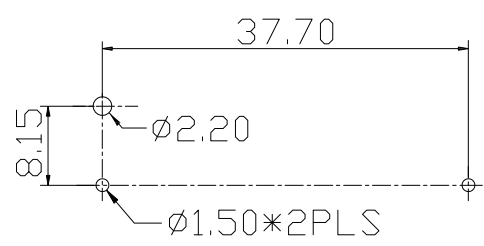
C

D



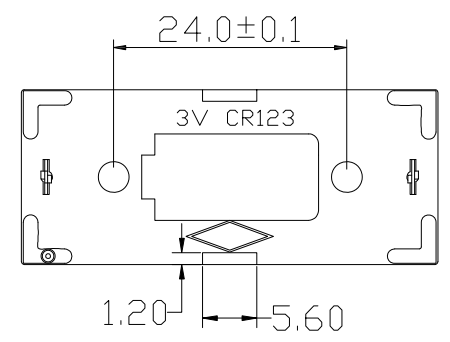
D

E



E

F



F

MOUNTING PAD & HOLE DETAIL

G

RoHS compliant  
unit:mm

Scale	Free
TOLERANCE	
.X	±0.35
.X	±0.25
.XX	±0.20
.XXX	±0.15
DIM	TOL
Angle	TOL

Drawn	01.12.2021	Peter
Approved	01.12.2021	Peter
①	Drawn	01.12.2021
ld.	modification	Date
		Name

Date	Name
01.12.2021	Peter
01.12.2021	Peter

Description: Battery Holder Type: CR123A / 16340	
ASSMANN WSW-NO. <b>A-BAT-BH-B3-EA-CRx1</b>	
Drawing-No. <b>ASS 9112 CO</b>	rev00
Customer-No.	SHEET 1 / 1

G

H



H

1

2

3

4

5

6

7