

1

2

3

4

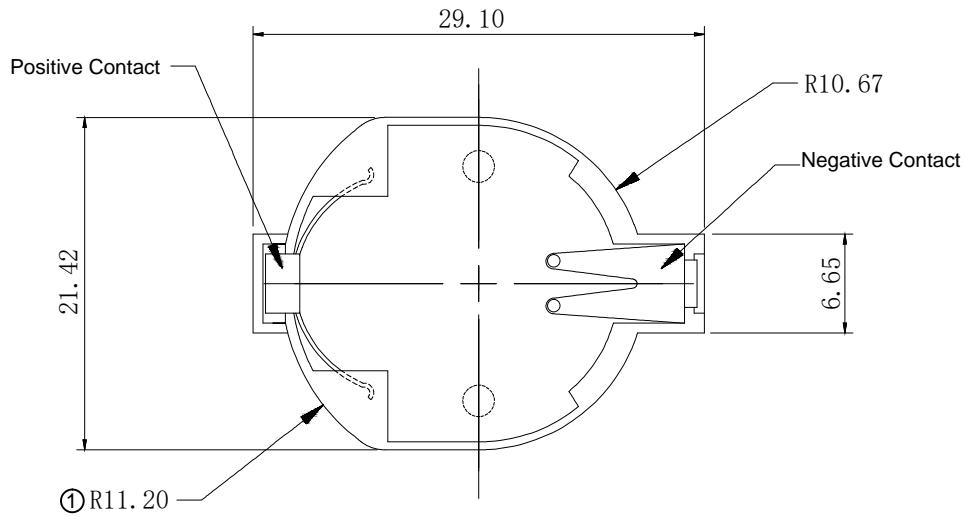
5

6

7

A

A



NOTE:

1.MATERIAL

- ① 1.1 Housing:PBT,UL94V-0
- 1.2 Contact:0.20mm Phosphor Bronze

2.Packing:Tape & Reel

Order Code:A-BAT-CH-C8-EA-xRR3

- G:Gold Flash over Nickel
- Z:Tin over Nickel
- C:Nickel plated

B

B

C

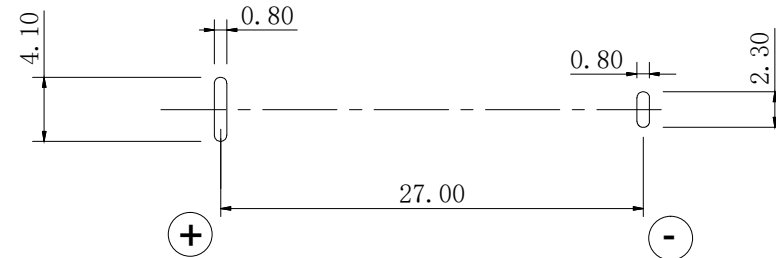
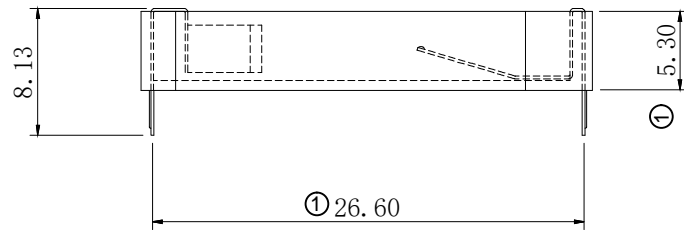
C

D

D

E

E



PCB LAYOUT

F

F

G

G

RoHS compliant
unit:mm

Scale	Free
TOLERANCE	
.X	±0.35
.X	±0.25
.XX	±0.20
.XXX	±0.15
DIM	TOL
Angle	TOL

①	Update the insulator material &dimension	12.06.2023	Winnie
②	Drawn	12.20.2021	Peter
Id.	modification	Date	Name

Date: 12.20.2021
Name: Peter

Drawn

Approved: 12.06.2023
Winnie

ASSMANN
WSW components

Description: Coin Cell Holders
CR2032 Type

ASSMANN WSW-NO.
A-BAT-CH-C8-EA-xRR3

Drawing-No.
ASS 9165 CO

Customer-No.

rev01
SHEET 1 / 1

H

H

1

2

3

4

5

6

7