

1

2

3

4

5

6

7

A

A

B

B

C

C

D

D

E

E

F

F

NOTE:

1.MATERIAL

- 1.1 Housing:PBT+GF,UL94V-0,Black
- 1.2 Contact:C2680,Au or Tin over Nickel

2.ELECTRIC

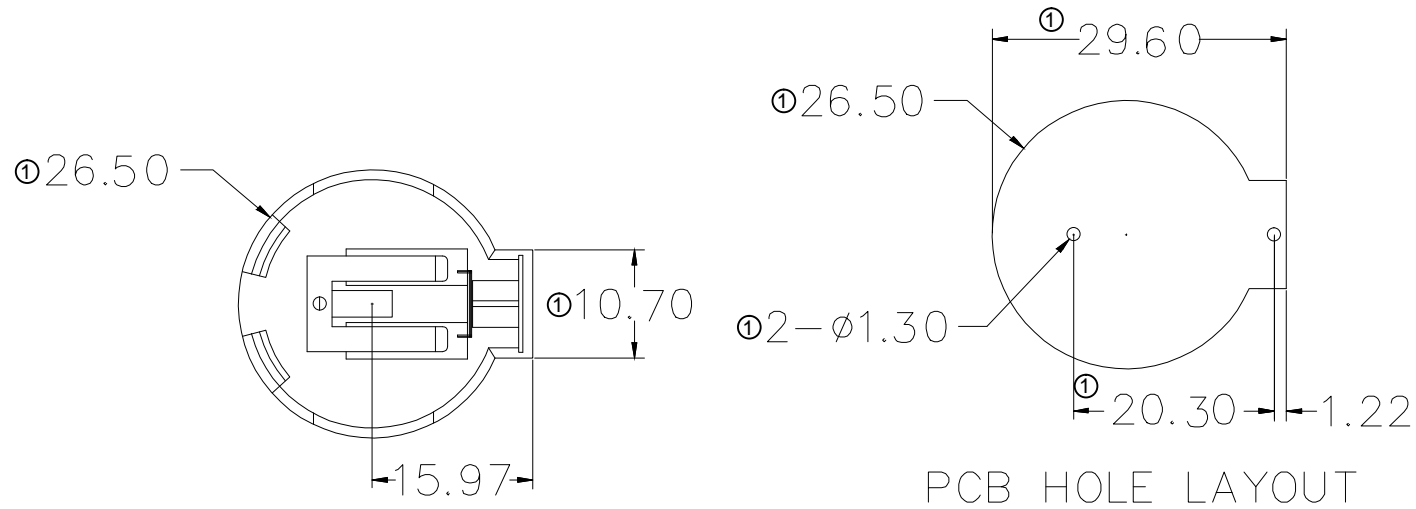
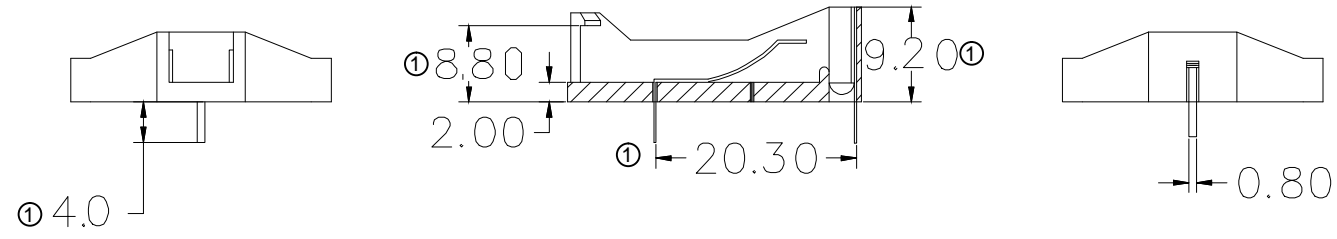
- 2.1 Contact Resistance:30 Milliohms Max.
- 2.2 Insulation Resistance:1000 Mega Ohms Min.
- 2.3 Dielectric Voltage:500V AC one Sec Level.

3.Operating Temperature:-55°C To +105°C

4.Packing:Tray

Order Code:A-BAT-CH-CB-EG-xTP1

G:Gold Flash  
Z:Tin



PCB HOLE LAYOUT

G

G

RoHS compliant  
unit:mm

Scale	Free						Date	Name	Description: Coin Cell Holders CR2450 Type
TOLERANCE							Drawn	Peter	
X.	±0.35						Approved	Winnie	ASSMANN WSW-NO. <b>A-BAT-CH-CB-EG-xTP1</b>
.X	±0.25								
.XX	±0.20								Drawing-No. <b>ASS 9169 CO</b>
.XXX	±0.15	①	Update the dimensions	12.20.2023	Winnie	 A company of			
DIM	TOL	②	Drawn	12.20.2021	Peter		Customer-No.	SHEET	
Angle	TOL	Id.	modification	Date	Name			1 / 1	

1

2

3

4

5

6

7