

1

2

3

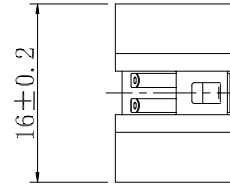
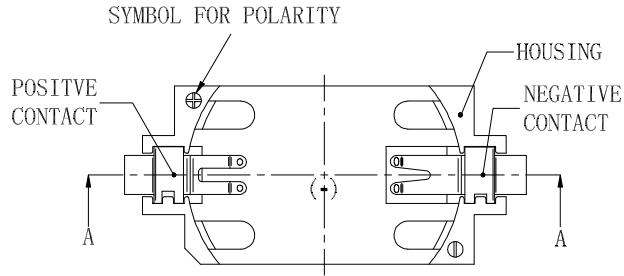
4

5

6

7

A



NOTE:

1. MATERIAL

1.1 Base: Glass Filled LCP, UL94V-0

1.2 Contact: 0.15mm Thickness Phosphor Bronze, Au or Tin over Nickel

2. Operating Temperature: -55°C To +105°C

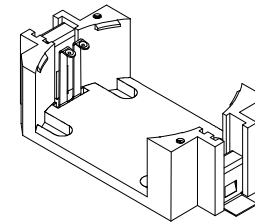
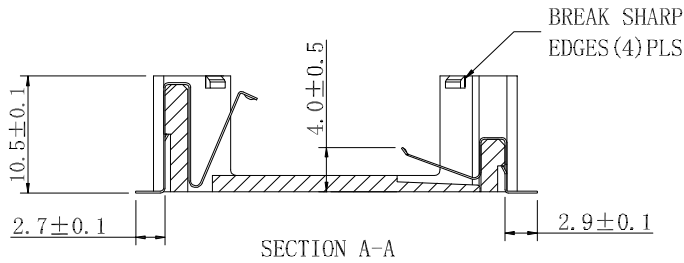
3. Packing: Tape & Reel

Order Code: A-BAT-CH-CC-EG-xSR1

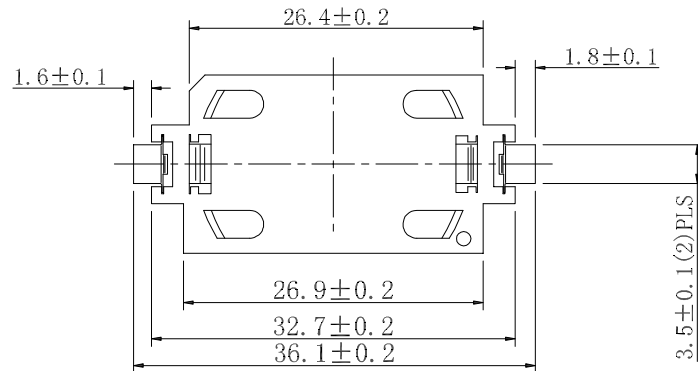
G: Gold Flash
Z: Tin

B

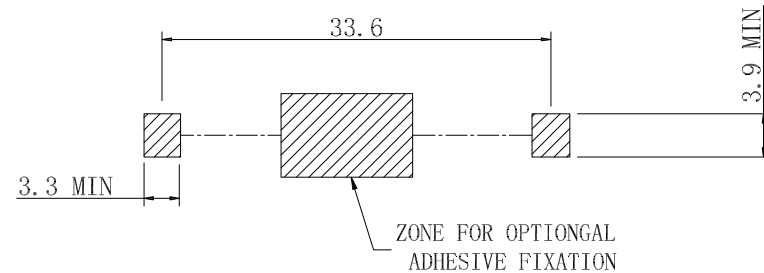
C



D



MOUNTING PAD & HOLE DETAIL



E

F

G

RoHS compliant

unit:mm

Scale Free

TOLERANCE

X. ± 0.35

.X ± 0.25

.XX ± 0.20

.XXX ± 0.15

DIM TOL

Angle TOL

Ⓢ

Drawn

modification

12.20.2021

Peter

ASSMANN
WSW components

Date

Name

Description: Coin Cell Holders
CR2450 Type

Drawn

12.20.2021

Peter

Approved

12.20.2021

Peter

ASSMANN WSW-NO.

A-BAT-CH-CC-EG-xSR1

Drawing-No.

ASS 9172 CO

rev00

Customer-No.

SHEET
1 / 1

H

1

2

3

4

5

6

7