

1

2

3

4

5

6

7

A

A

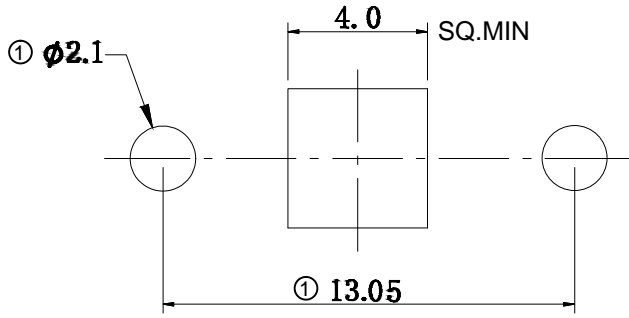
**NOTE:**

**1.MATERIAL**

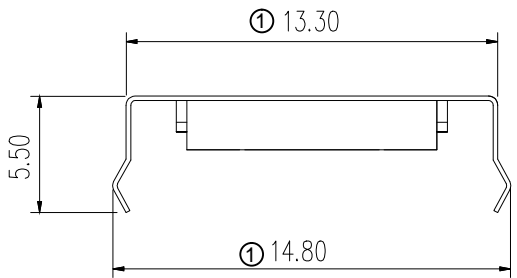
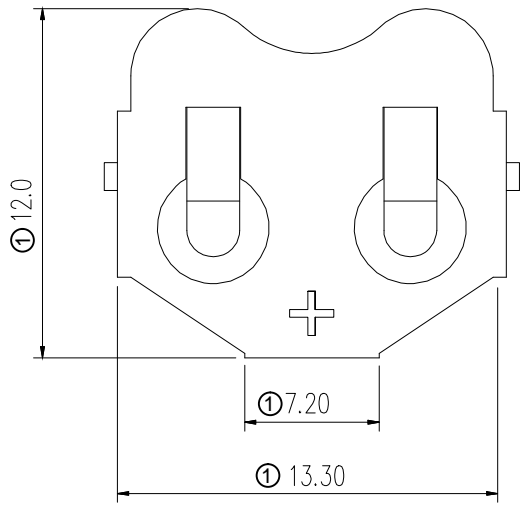
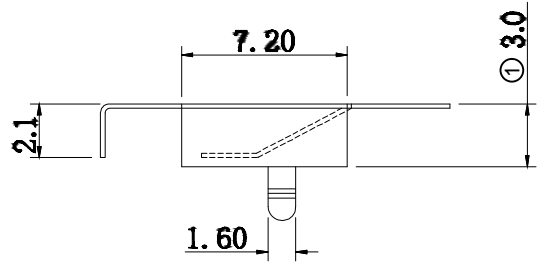
1.1 Contact: Phosphor Bronze T=0.25mm,Nickel Plated

2.Packing: Tape & Reel

**NEG. CONTACT PAD**



**PCB LAYOUT**



B

B

C

C

D

D

E

E

F

F

G

G

**RoHS compliant**  
unit:mm

|                  |       |
|------------------|-------|
| Scale            | Free  |
| <b>TOLERANCE</b> |       |
| X.               | ±0.35 |
| .X               | ±0.25 |
| .XX              | ±0.20 |
| .XXX             | ±0.15 |
| DIM              | TOL   |
| Angle            | TOL   |

|     |                       |            |        |
|-----|-----------------------|------------|--------|
| ①   | Update the dimensions | 06.12.2023 | Winnie |
| ②   | Drawn                 | 24.11.2021 | Peter  |
| Id. | modification          | Date       | Name   |

Date

Name

Drawn 24.11.2021 Peter

Approved 06.12.2023 Winnie

**ASSMANN**  
WSW components

|  |                |
|--|----------------|
| Description: Battery Contacts<br>CR1225 Type Positive Pole |                |
| ASSMANN WSW-NO.<br><b>A-BAT-CH-C2-EA-CRR2</b>              |                |
| Drawing-No.<br><b>ASS 9097 CO</b>                          | rev01          |
| Customer-No.   | SHEET<br>1 / 1 |

H

H

1

2

3

4

5

6

7