

1

2

3

4

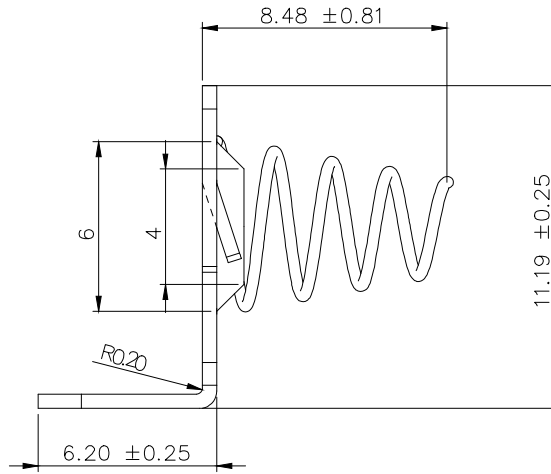
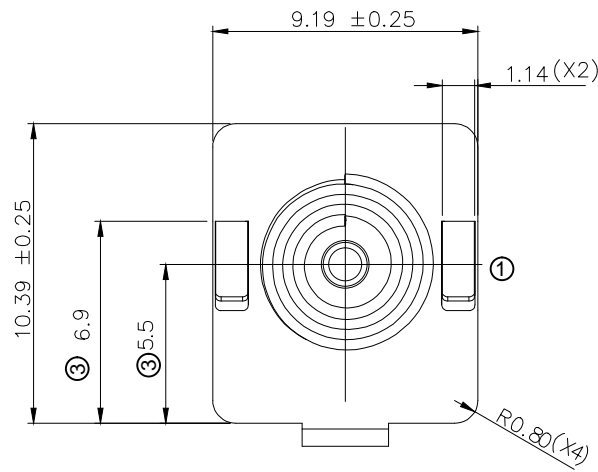
5

6

7

A

A



NOTE:

1.MATERIAL

1.1 Base: 0.50mm thickness Steel ,Nickel Plated

2.Packing: PE Bag

B

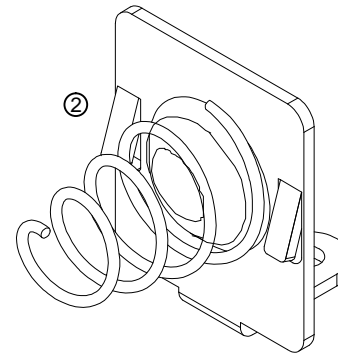
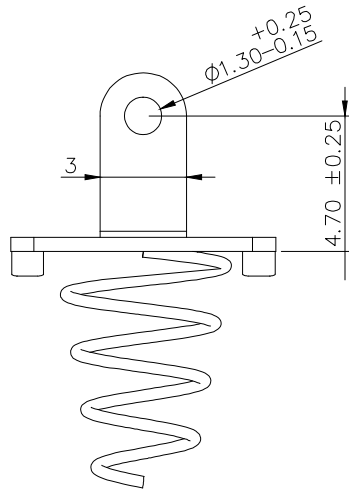
B

C

C

D

D



E

E

F

F

G

G

RoHS compliant
unit:mm

Scale	Free									
TOLERANCE										
X.	±0.35									
.X	±0.25	③	Update the dimensions	06.12.2023	Winnie	Approved	06.12.2023	Winnie	ASSMANN WSW-NO.	
.XX	±0.20	②	Correct the shape of 3D	17.10.2022	Winnie				A-BAT-BH-B0-EA-CHB1	
.XXX	±0.15	①	Update the shape of tongue	18.07.2022	Daniel				Drawing-No.	rev03
DIM	TOL	④	Drawn	29.11.2021	Peter			ASS 9106 CO		
Angle	TOL	Id.	modification	Date	Name			Customer-No.		SHEET 1 / 1

Description: Battery Contacts
Type: AAA / LR03
Negative Pole

ASSMANN WSW-NO.
A-BAT-BH-B0-EA-CHB1

Drawing-No. ASS 9106 CO rev03

Customer-No. SHEET 1 / 1

1

2

3

4

5

6

7

H

H