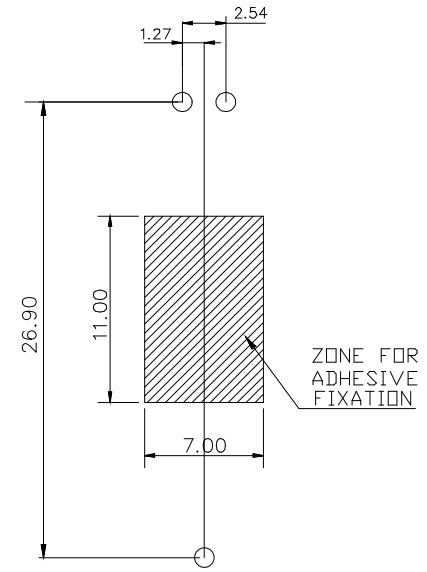


NOTE:

- 1. MATERIAL
 - ① 1.1 Housing: LCP 30%GF,UL94V-0,Color :Beige
 - 1.2 Contact: Phosphor Bronze,C5191R-H
- 2. FINISH
 - 2.1 Contact: Au or Tin over Nickel
- 3. Packing: Tape & Reel
Order Code:A-BAT-CH-C8-EA-xRR2

G:Gold Flash
Z:Tin



RoHS compliant
unit:mm

Scale	Free
TOLERANCE	
X.	±0.35
.X	±0.25
.XX	±0.20
.XXX	±0.15
DIM	TOL
Angle	TOL

Id.	modification	Date	Name
②	Update the dimension	12.06.2023	Winnie
①	Update the terminal tail shape&add the insulator color	10.17.2022	Winnie
①	Drawn	12.16.2021	Peter

Date: 12.16.2021
 Name: Peter
 Drawn
 Date: 12.06.2023
 Name: Winnie
 Approved
ASSMANN
 WSW components

Description: Coin Cell Holders CR2032 Type	
ASSMANN WSW-NO. A-BAT-CH-C8-EA-xRR2	
Drawing-No. ASS 9149 CO	rev02
Customer-No.	SHEET 1 / 1