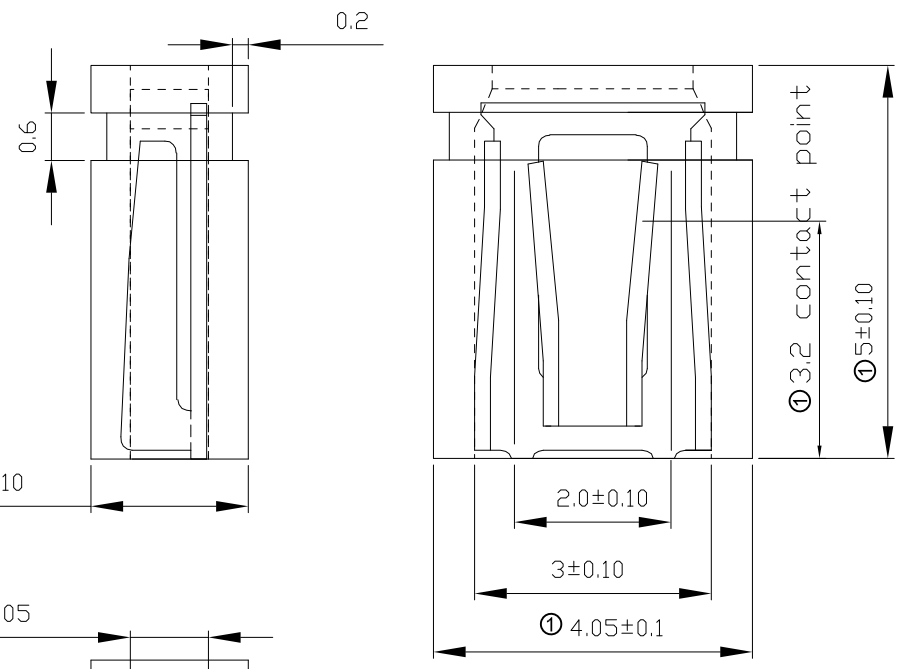


1 2 3 4 5 6 7

A



NOTES:

- 1. Insulation: Glass Filled PBT, UL94V-0, Color: Red
- 2. Contact : Brass
- ① 3. Current Rating: 1.5A Max
- 4. Dielectric Voltage: 1000V rms / 1 minute
- 5. Insulation Resistance: 1000M ohm Min.
- 6. Contact Resistance: 30m ohm Max.
- 7. Operating and Storage Temperature: -40°C ~ +105°C

AKSG-200/x-RED
 Contact Plating:
 G: Gold Flash

D

E

F

RoHS compliant

Scale	1:1					Date	Name	Customer-No.
TOLERANCE						Drawn	09.02.2011	Rale
.X	±0.38					Approved	22.04.2022	Winnie
.XX	±0.25							
① .XXX	±0.15							
DIM	TOL	①	Change the plant	22.04.2022	Winnie			
X.°	±1°	②	Drawn	09.02.2011	Rale			
Angle	TOL							
UNIT	mm	Id.	Modification	Date	Name			

ASSMANN WSW-No. AKSG-200/x-RED	
Drawing-No. ASS 0243A CO	rev01
Replace	SHEET

H

1 2 3 4 5 6 7