

1

2

3

4

5

6

7

A

A

B

B

C

C

D

D

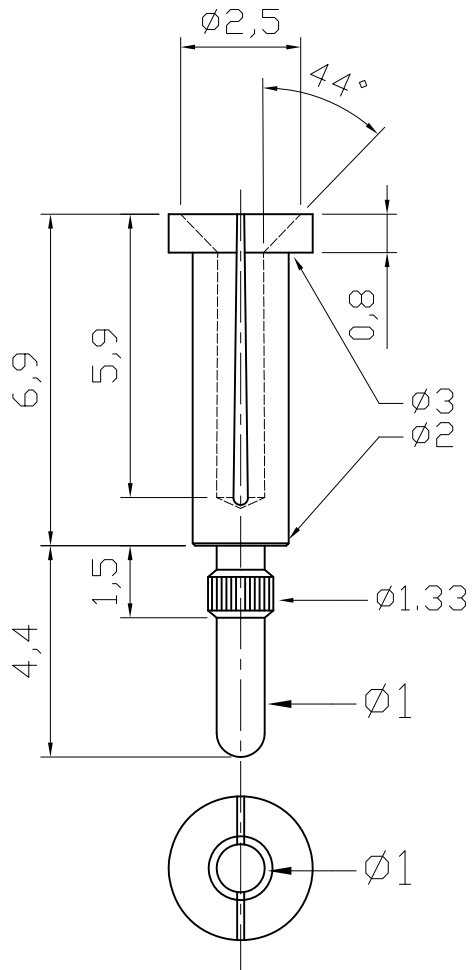
E

E

F

F

Material: CuZn39Pb3
Plating: Gold Flash



RoHS compliant

Scale	1:1						Date	Name	Customer-No.			
TOLERANCE						Drawn	04.06.2009	Dean	ASSMANN WSW-No. AP 90			
X.	±X					Approved	04.06.2009	Hellwig				
X.X	±X											
X.XX	±X								Drawing-No.			
DIM	TOL								ASS 0656 CO			
X.°	±X°										rev01	
X.X°	±X°	①	Drawn	04.06.2009	Dean				Replace		Sheet	
Angle	TOL	Id.	Modification	Date	Name							

1

2

3

4

5

6

7

H

H