

1

2

3

4

5

6

7

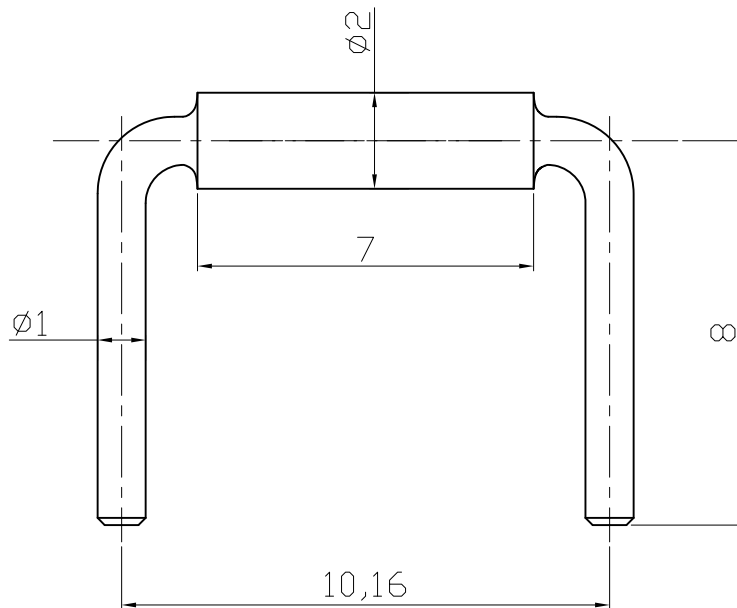
A

A

Material:Brass
Plating: Au over Ni

B

B



C

C

D

D

E

E

F

F

RoHS compliant

Scale	1:1					Date	Name	Customer-No.		
TOLERANCE	±0.05				Drawn	27.08.2001	Hellwig	ASSMANN WSW-No. AB 11		
					Approved	09.09.2009	Hellwig			
DIM	TOL	②	Redraw	09.09.2009	Dean			Drawing-No.		
		①	Drawn	27.08.2001	Hellwig			ASS 0786C CO		rev02
		Id.	Modification	Date	Name			Replace		Sheet

G

G

H

H

1

2

3

4

5

6

7