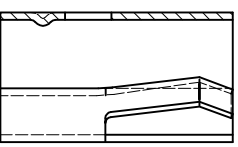
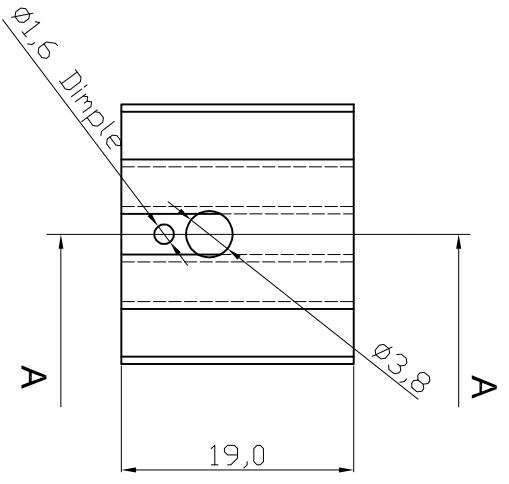
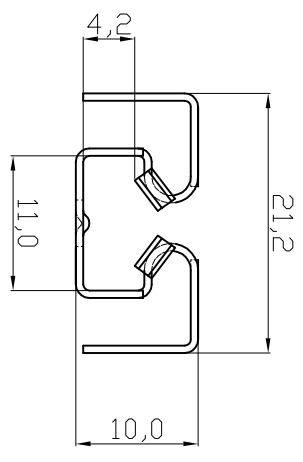


1	2	3	4	5	6	7	A
1	2	3	4	5	6	7	A
1	2	3	4	5	6	7	B
1	2	3	4	5	6	7	C
1	2	3	4	5	6	7	D
1	2	3	4	5	6	7	E
1	2	3	4	5	6	7	F
1	2	3	4	5	6	7	G
1	2	3	4	5	6	7	H



section A-A

Notes
 Material: AL5052 T=0.8mm
 Finished: Black Anodized

RoHS compliant
 Unit:mm

Scale	Free							
TOLERANCE								
UNIT	± 0.25							
DIM	TOL	③ Add tolerance	08.07.2016	Amy				
		② Modify drawing layout	10.03.2010	Alex	Drawn	11.08.2009	Dean	
		① Drawn	11.08.2009	Dean				
Angle	TOL	Id.	Modification	Date	Name			



Customer-No.	
ASSMANN WSW-No.	V2010B1
Drawing-No.	ASS 0863 HS
Replace	rev03
Sheet	