

1

2

3

4

5

6

7

A

A

B

B

C

C

D

D

E

E

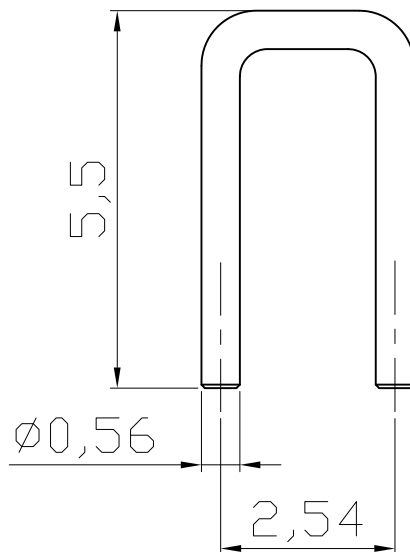
F

F

Material:Brass

Plating: AB 1U-G :Au over Ni

AB 1U-Z :Sn over Ni



RoHS compliant

Scale	1:1						Date	Name	Customer-No.
TOLERANCE						Drawn	09.09.2009	Dean	
X.	$\pm X$					Approved	09.09.2009	Hellwig	ASSMANN WSW-No. AB 1U-Z AB 1U-G
X.X	$\pm X$								
X.XX	$\pm X$								
DIM	TOL								Drawing-No.
X.°	$\pm X^\circ$								ASS 0923 CO
X.X°	$\pm X^\circ$	①	Drawn	09.09.2009	Dean	ASSMANN WSW components			rev01
Angle	TOL	Id.	Modification	Date	Name			Replace	Sheet

1

2

3

4

5

6

7

H

H