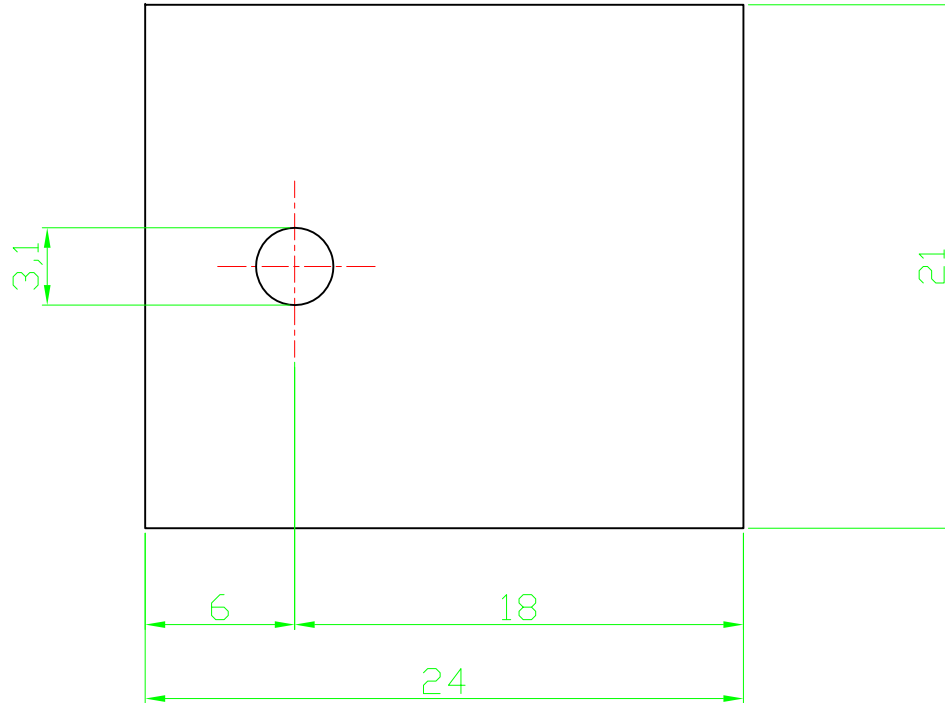


RoHS compliant



Notes

Features

1. Extremely low thermal resistance=0.30°C/W to 0.35°C/W
2. Glass-fiber reinforced
3. Very much flexible
4. Not flammable according UL94V-0
5. Clean, fast processing
6. Thermal compound not necessary

Material thickness : 0.2mm±0.05

Material : Silicon, glass-fiber reinforced

Color : dark-red

Tensile strength : 25.9 Mpa

Ultimate tensile strength : 70 kN/m

Specific volum resistance : 1.8x10¹²Ωm

Dielectric strength : Voltage ramp: 5kV

 Voltage steps: 2kV

Thermal conductivity : 1.9W/m x K

Temperature range : -60°C to +200°C

Option	Version
V8640	TO-3P/TO-218/TO-247/TO-248
V8640AV	TO-3P/TO-218/TO-247/TO-248 self adhesive

Scale	1:1						Date	Name	Customer-No.
TOLERANCE							Drawn	20.08.2009	Dean
X.	±X						Approved	10.03.2010	Andy
X.X	±X								
X.XX	±X								
DIM	TOL								Drawing-No.
X.°	±X°	②	Modify drawing layout	10.03.2010	Alex		ASSMANN WSW-No. V8640x		
X.X°	±X°	①	Drawn	20.08.2009	Dean		ASS 0929 HS	rev02	
Angle	TOL	Id.	Modification	Date	Name		Replace	Sheet	