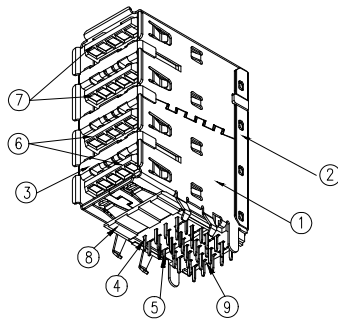
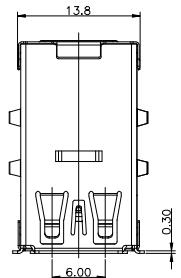


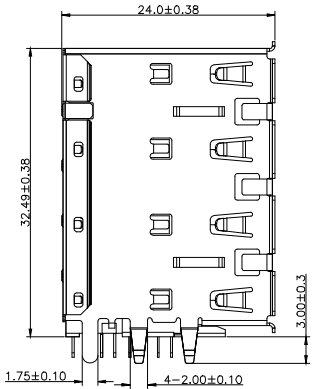
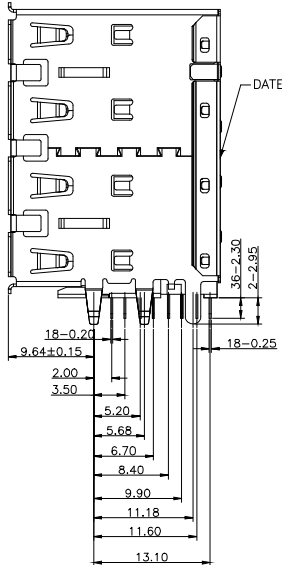
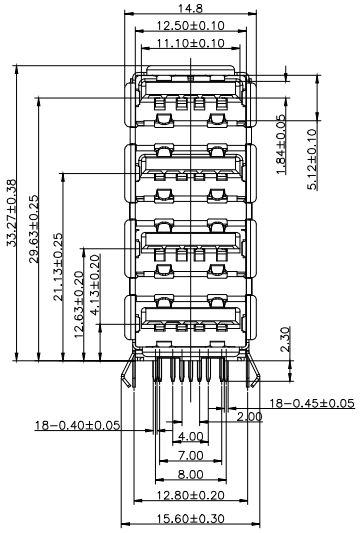
A



Remark:  
 1.MATERIAL:  
 1.1 Housing:thermoplastic plastics.  
 1.2 terminals:Copper Alloy Gold Flash  
 1.3 Front Shell:Copper Alloy/SPCC.  
 Middle Shell:SPCC  
 2.characteristics:  
 2.1 Rating Voltage : 30V AC.  
 2.2 Rating Current:PIN1&PIN4:(Vbus&Correponding ground PIN)  
 1.8A MAX Other PINS 0.25A min.  
 2.3 Contact Resistance:PIN1&PIN4:30 mΩ MAX. Other PINS: 50 mΩ  
 2.4 Insulation Resistance:100 MΩ MIN.  
 2.5 Withstanding Voltage:AC 100V between adjacent contacts  
 2.6 Mating force: 3.57Kgf MAX(35N MAX)  
 2.7 Extraction force:1Kgf Min(9.8N Min)  
 2.8 Life test:1500Cycles MIN.  
 2.9 Temperature Range: -30°C~ +80°C.

B

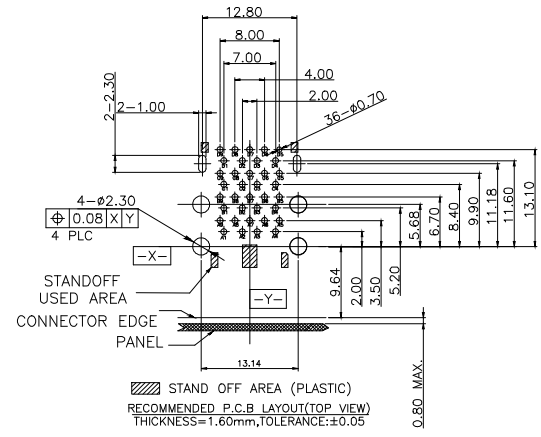
C



D

E

F



**RoHS compliant**  
Unit: mm

|           |       |     |              |            |      |                             |            |                            |
|-----------|-------|-----|--------------|------------|------|-----------------------------|------------|----------------------------|
| Scale     | Free  |     |              |            |      | Date                        | Name       | Description: USB Connector |
| TOLERANCE |       |     |              |            |      | Drawn                       | 30.07.2025 | Luca                       |
| X.X       | ±0.38 |     |              |            |      | Approved                    | 30.07.2025 | Luca                       |
| X.XX      | ±0.25 |     |              |            |      |                             |            |                            |
| X.XXX     | ±0.15 |     |              |            |      |                             |            |                            |
| DIM       | TOL   |     |              |            |      |                             |            |                            |
| X°        | ±2°   |     |              |            |      |                             |            |                            |
|           |       | ①   | Drawn        | 30.07.2025 | Luca | <br>A company of <b>BCS</b> |            |                            |
|           |       | Id. | Modification | Date       | Name |                             |            |                            |

|  |                    |
|--|--------------------|
| Description: USB Connector             |                    |
| USB3.0 TYPE A / FEMALE / 4 PORTS / THR |                    |
| ASSMANN WSW-No.                        |                    |
| <b>A-USB3-AFN-4A-GRP1</b>              |                    |
| Drawing-No.                            | ASS 10139 CO rev00 |
| Customer-No.                           | Sheet 1/1          |