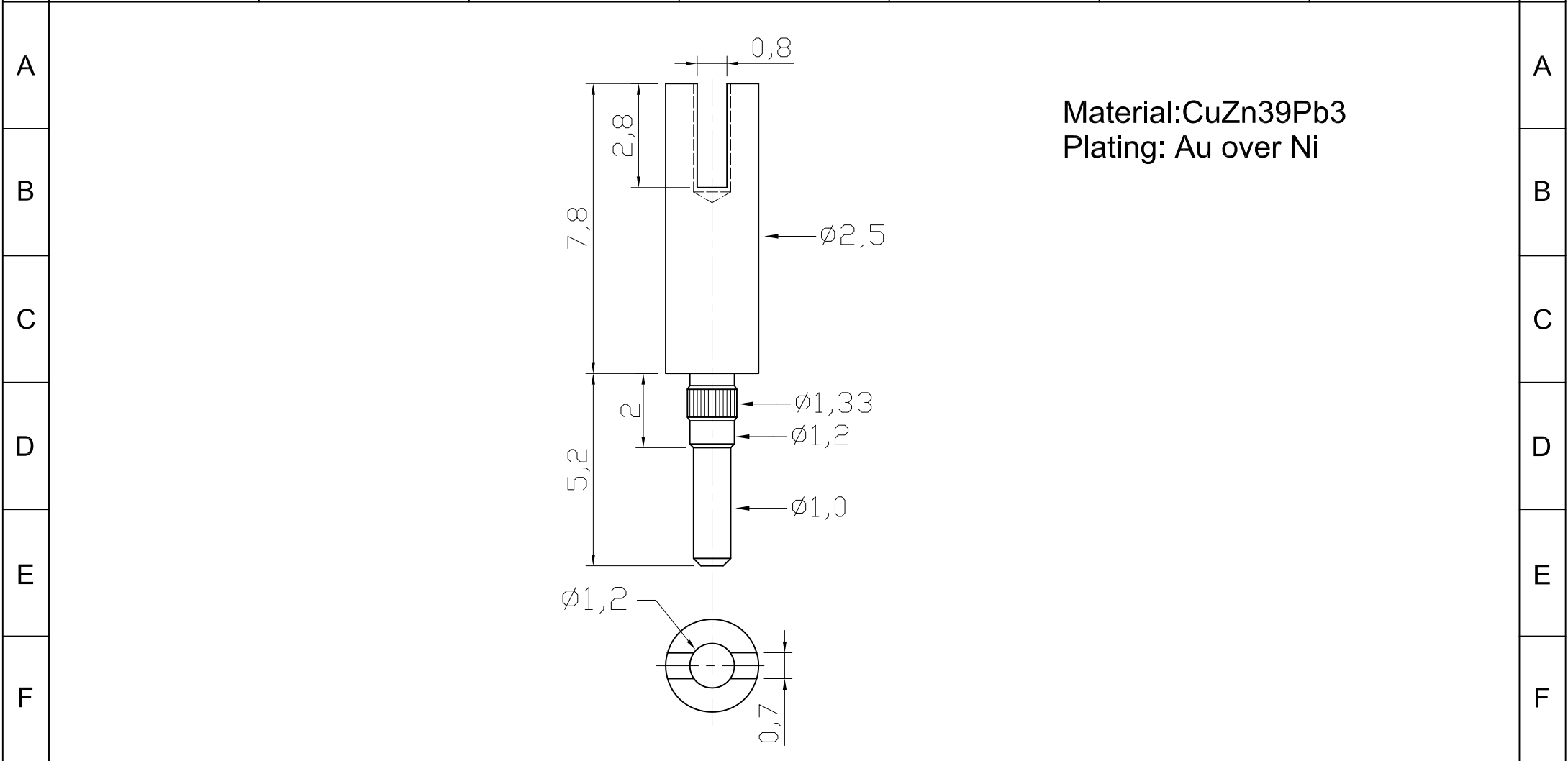


1 2 3 4 5 6 7



RoHS compliant

Scale	1:1					Date	Name	Customer-No.	
TOLERANCE						Drawn	09.09.2009	Dean	ASSMANN WSW-No. ALP 56
X.	$\pm X$					Approved	09.09.2009	Hellwig	
X.X	$\pm X$								
X.XX	$\pm X$								Drawing-No.
DIM	TOL							ASS 1017 CO	
X.°	$\pm X^\circ$							rev01	
X.X°	$\pm X^\circ$	①	Drawn	09.09.2009	Dean				
Angle	TOL	Id.	Modification	Date	Name	Replace		Sheet	

1 2 3 4 5 6 7