

RECOMMEND
PANEL CUT-OUT

① Order Code:
A-M08A03MSTxxx0501

L:
010: 100mm ±10mm
020: 200mm ±10mm
050: 500mm ±10mm
100: 1000mm ±30mm
500: 5000mm ±50mm

NOTE:

1.ELECTRICAL:

- 1.1 Rating Voltage:60V DC
- 1.2 Insulation Resistance:>100MΩ
- 1.3 Rating Current:4A
- 1.4 Contact Resistance of connector:≤5mΩ

- 2.Mechanical Characteristics:Mating/Cycle>100 cycle
- 3.Operating temperature: -25°C to +85°C
- 4.Waterproof connector rating is IP67
They can not be used permanently under water
- 5.Outer Jacket material : PVC

WIRE LIST

| P1 | COLOR | P2 |
|----|-------|-----|
| 1 | BROWN | S/T |
| 3 | BLUE | |
| 4 | BLACK | |

| ITEM | SPECIFICATION | Q'TY | UNIT |
|------|---|------|------|
| ⑥ | M8*1.0 BRASS PLATED NI NUT L*W=2.0*10mm | 1 | PCS |
| ⑤ | BLACK EPOXY RESIN | 1 | g |
| ④ | O-RING GREEN FKM ϕ 7.00*1.5mm | 1 | PCS |
| ③ | M8 BRASS PLATED NI MALE FRONT MOUNT M8*1.0 L=16.5mm | 1 | PCS |
| ② | M8 A Coding male connector | 1 | SET |
| ① | UL1007 24AWG VW-1 HOOK UP WIRE | 1 | SET |

RoHS compliant
unit:mm

| Scale | Free |
|-----------|-------|
| TOLERANCE | |
| .X | ±0.50 |
| .XX | ±0.20 |
| DIM | TOL |
| X.° | ±2.0° |
| .X° | ±1.0° |
| Angle | TOL |

| ② | modification | Date | Name |
|---|--------------------|------------|--------|
| ② | Add VW-1 | 19.12.2023 | Winnie |
| ① | Add the order code | 31.05.2023 | Winnie |
| ① | Drawn | 10.06.2022 | Peter |

ASSMANN
WSW components

| | |
|---|----------------|
| Description: M8 Circular Connector Male 3Pin Front Mount Cable | |
| ASSMANN WSW-NO. A-M08A03MSTxxx0501 | |
| Drawing-No. ASS 10269 CA | rev02 |
| Customer-No. | SHEET 1 / 4 |

1

2

3

4

5

6

7

A

A

B

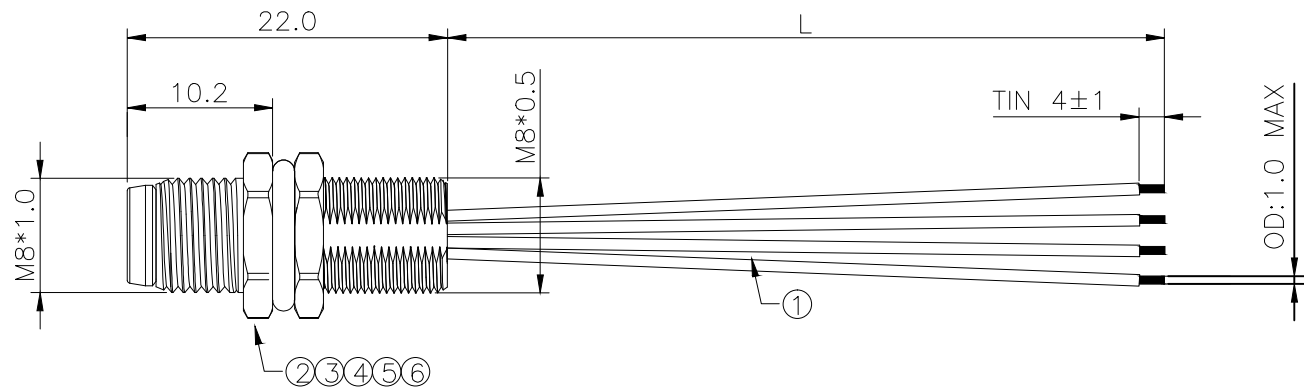
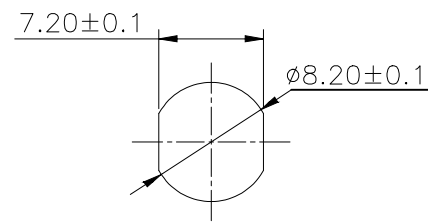
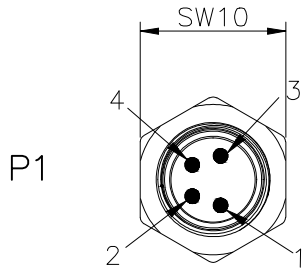
B

C

C

D

D



① Order Code:
A-M08A04MSTxxx0501
 L:
 010: 100mm ±10mm
 020: 200mm ±10mm
 050: 500mm ±10mm
 100: 1000mm ±30mm
 500: 5000mm ±50mm

NOTE:
 1.ELECTRICAL PROPERTIES AT +20°C
 1.1 Rating Voltage:50V/60V AC/DC
 1.2 Insulation Resistance:>100MΩ
 1.3 Rating Current:3A

2.Mechanical Characteristics:mating cycle>100 cycles
 3.Operating temperature: -25°C to +85°C
 4.Tightening Torque (range):0.4~1.6Nm
 5.Protection class When coupled-IP67
 They can not be used permanently under water
 Per ISO-20653,IEC60529
 6.Outer Jacket material : PVC

WIRE LIST

| P1 | COLOR | P2 |
|----|-------|-----|
| 1 | BROWN | S/T |
| 2 | WHITE | |
| 3 | BLUE | |
| 4 | BLACK | |

| | | | |
|------|--|------|------|
| ⑥ | M8*0.5 BRASS PLATED NI NUT L*W=2.0*10mm | 1 | PCS |
| ⑤ | BLACK EPOXY RESIN | 1 | g |
| ④ | O-RING GREEN FKM ø7.00*1.5mm | 1 | PCS |
| ③ | M8 Nickel plated brass nut rear panel mount male shell | 1 | PCS |
| ② | M8 A Coding 4pin male connector | 1 | SET |
| ① | UL1007 24AWG VW-I HOOK UP WIRE | 1 | SET |
| ITEM | SPECIFICATION | Q'TY | UNIT |

G

G

RoHS compliant
 unit:mm

| Scale | Free | | | | | Date | Name |
|-----------|-------|-----|--------------------|------------|--------|----------|--------|
| TOLERANCE | | | | | | Drawn | Peter |
| .X | ±0.50 | | | | | Approved | Winnie |
| .XX | ±0.20 | | | | | | |
| DIM | TOL | ② | Add VW-1 | 19.12.2023 | Winnie | | |
| | | ① | Add the order code | 31.05.2023 | Winnie | | |
| X.° | ±2.0° | | | | | | |
| .X° | ±1.0° | ① | Drawn | 10.06.2022 | Peter | | |
| Angle | TOL | Id. | modification | Date | Name | | |
| | | | | | | | |

Description: M8 Circular Connector
 Male 4Pin Front Mount Cable

ASSMANN WSW-NO.
① A-M08A04MSTxxx0501

Drawing-No.
ASS 10269 CA rev02

Customer-No.
 SHEET 2 / 4

H

H

1

2

3

4

5

6

7

1

2

3

4

5

6

7

A

A

B

B

C

C

D

D

E

E

F

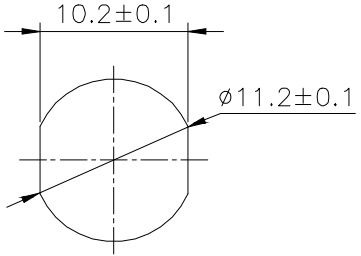
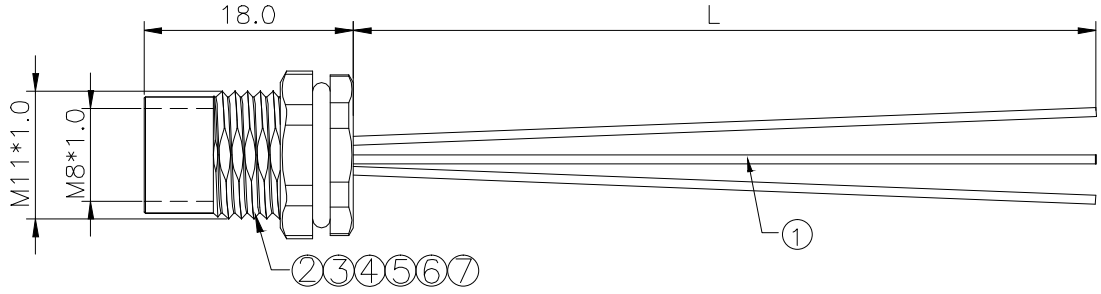
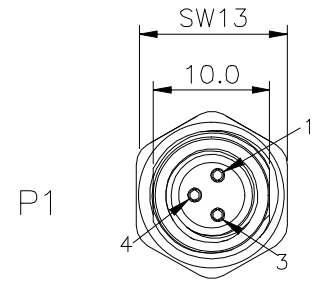
F

G

G

H

H



RECOMMEND
PANEL CUT-OUT

NOTE:

- 1.ELECTRICAL PROPERTITES AT +20°C:
 - 1.1 Rating Voltage:60V DC
 - 1.2 Insulation Resistance:>100MΩ
 - 1.3 Rating Current:3A
 - 1.4 Contact Resistance of connector:≤5mΩ
- 2.Mechanical Characteristics:Mating/Cycle>100 cycle
- 3.Operating temperature: -25°C to +85°C
- 4.Tightening Torque (Range):0.4~1.6Nm
According to IEC 61076-2-104
- 5.Waterproof connector rating is IP67
They can not be used permanently under water
Per ISO-20653, IEC60529
- 6.Outer Jacket material : PVC

① Order Code:
A-M08A03FSTxxx0501

- L:
- 010: 100mm ±10mm
 - 020: 200mm ±10mm
 - 050: 500mm ±10mm
 - 100: 1000mm ±30mm
 - 500: 5000mm ±50mm

WIRE LIST

| P1 | COLOR | P2 |
|----|-------|------|
| 1 | BROWN | OPEN |
| 3 | BLUE | |
| 4 | BLACK | |

| ITEM | SPECIFICATION | Q'TY | UNIT |
|------|--|------|------|
| ⑦ | O-Ring Green FKM ø4.34*0.76mm | 1 | PCS |
| ⑥ | M11*1.0 BRASS PLATED NI NUT L*W=2.8*13mm | 1 | PCS |
| ⑤ | BLACK EPOXY RESIN | 1 | g |
| ④ | O-Ring Green FKM ø10*1.5mm | 1 | PCS |
| ③ | M8 BRASS PLATED NI FEMALE FRONT MOUNT M11*1.0 L=18mm | 1 | PCS |
| ② | M8 A CODING 3PIN FEMALE CONNECTOR | 1 | SET |
| ① | UL1007 24AWG VW-I HOOK UP WIRE | 1 | SET |

RoHS compliant
unit:mm

| Scale | Free |
|-----------|-------|
| TOLERANCE | |
| .X | ±0.50 |
| .XX | ±0.20 |
| DIM | TOL |
| X.° | ±2.0° |
| .X° | ±1.0° |
| Angle | TOL |

| Id. | modification | Date | Name |
|-----|--------------------|------------|--------|
| ② | Add VW-1 | 19.12.2023 | Winnie |
| ① | Add the order code | 31.05.2023 | Winnie |
| ① | Drawn | 10.06.2022 | Peter |

ASSMANN
WSW components

| | |
|---|----------------|
| Description: M8 Circular Connector Female 3Pin Front Mount Cable | |
| ASSMANN WSW-NO. ① A-M08A03FSTxxx0501 | |
| Drawing-No. ASS 10269 CA | rev02 |
| Customer-No. | SHEET 3 / 4 |

1

2

3

4

5

6

7

1

2

3

4

5

6

7

A

A

B

B

C

C

D

D

E

E

F

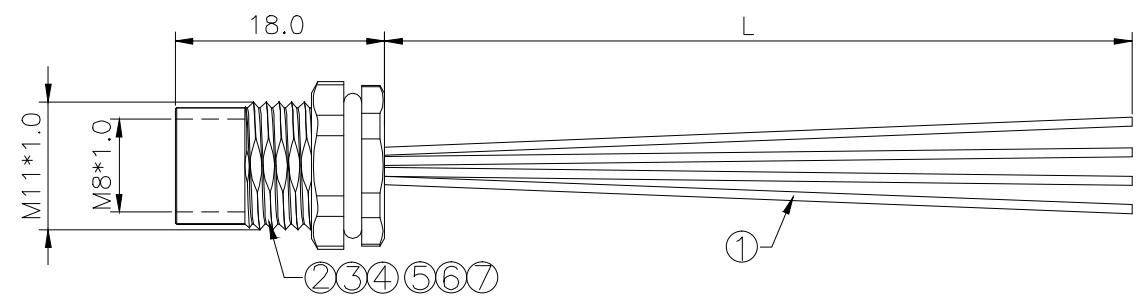
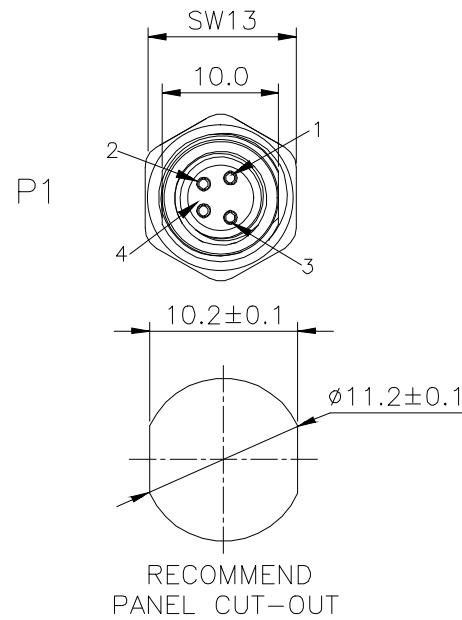
F

G

G

H

H



P2

① Order Code:
A-M08A04FSTxxx0501

L:
010: 100mm ±10mm
020: 200mm ±10mm
050: 500mm ±10mm
100: 1000mm ±30mm
500: 5000mm ±50mm

NOTE:
1.ELECTRICAL PROPERTIES AT +20°C
1.1 Rating Voltage:50V/60V AC/DC
1.2 Insulation Resistance:>100MΩ
1.3 Rating Current:3A
1.4 Contact Resistance of connector:≤5mΩ

WIRE LIST

| | | | | | | |
|----|-------|------|------|--|------|------|
| P1 | COLOR | P2 | ⑦ | O-Ring Green FKM $\phi 4.34*0.76$ mm | 1 | PCS |
| 1 | BROWN | OPEN | ⑥ | M11*1.0 BRASS PLATED NI NUT L*W=2.8*13mm | 1 | PCS |
| 2 | WHITE | | ⑤ | BLACK EPOXY RESIN | 1 | g |
| 3 | BLUE | | ④ | O-Ring Green FKM $\phi 10*1.5$ mm | 1 | PCS |
| 4 | BLACK | | ③ | M8 BRASS PLATED NI FEMALE FRONT MOUNT M11*1.0 L=18mm | 1 | PCS |
| | | | ② | M8 A CODING 4PIN FEMALE CONNECTOR | 1 | SET |
| | | | ① | UL1007 24AWG VWI HOOK UP WIRE | 1 | SET |
| | | | ITEM | SPECIFICATION | Q'TY | UNIT |

2.Mechanical Characteristics:mating cycle>100 cycles
3.Operating temperature: -25°C to +85°C
4.Tightening Torque (range):0.4~1.6Nm
5.Protection class When coupled-IP67
They can not be used permanently under water
Per ISO-20653,IEC60529
6.Outer Jacket material : PVC

RoHS compliant
unit:mm

| | | | | | | | | |
|-----------|-------|-----|--------------------|------------|--------|----------|--------|---|
| Scale | Free | | | | | Date | Name | Description: M8 Circular Connector Female 4Pin Front Mount Cable |
| TOLERANCE | | | | | | Drawn | Peter | |
| .X | ±0.50 | | | | | Approved | Winnie | ASSMANN WSW-NO. |
| .XX | ±0.20 | | | | | | | ① A-M08A04FSTxxx0501 |
| DIM | TOL | ② | Add VW-1 | 19.12.2023 | Winnie | | | Drawing-No. ASS 10269 CA rev02 |
| | | ① | Add the order code | 31.05.2023 | Winnie | | | |
| X.° | ±2.0° | ① | Drawn | 10.06.2022 | Peter | | | Customer-No. SHEET 4 / 4 |
| .X° | ±1.0° | ① | | | | | | |
| Angle | TOL | Id. | modification | Date | Name | | | |

1

2

3

4

5

6

7