

1

2

3

4

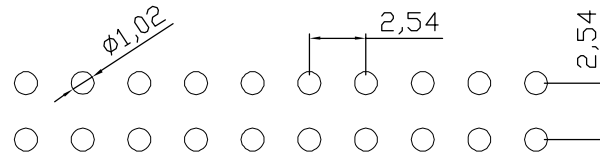
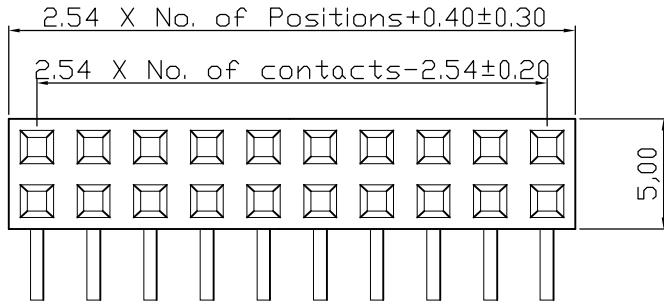
5

6

7

A

A



P.C.B. LAYOUT

NOTES:

MATERIAL

- 1. Insulator Material: PBT+30%GF(UL94V-0), Black
- 2. Contact Material : Brass
- 3. Contact Plating : See order code

ELECTRICAL

- 1. Current Rating : 3.0Amps/contact max
- 2. Withstand Voltage : 500V AC/minute
- 3. Contact Resistance : 20mΩ/contact max
- 4. Insulation Resistance: 1000MΩ min at Voltage=100V

ENVIRONMENTAL

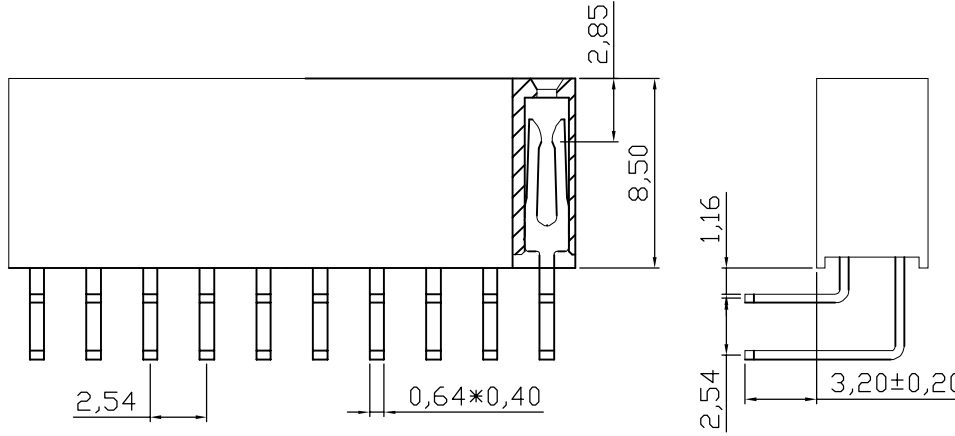
- 1. Operation Temperature: -40°C to +105°C
- Packing : Tray

C

C

D

D



4 Order Code: A-BL254-DA-xxxD

No. of positions  
 Contact Plating: G: Gold flash  
 Z: Tin plated

E

E

F

F

**RoHS compliant**  
 Unit: mm

Scale	Free					Date	Name	Customer-No.
TOLERANCE		⑤	Add the order code	08.10.2012	Amy	Drawn	26.07.2005	Hellwig
X.	±0.50	④	Change of Plant	27.09.2012	Amy	Approved	08.10.2012	Amy
X.X	±0.30	③	Correct the P/N	14.03.2011	Rale			
X.XX	±0.20	②	Modify drawing	27.07.2009	Dean			
X.XXX	±0.10	①	Drawn	26.07.2005	Hellwig			
DIM	TOL							
Angle	±5°	Id.	Modification	Date	Name			



ASSMANN WSW-No.  
**A-BL254-DA-xxxD**

Drawing-No.  
**ASS 1034C CO** rev05

Replace Sheet

G

G

H

H

1

2

3

4

5

6

7