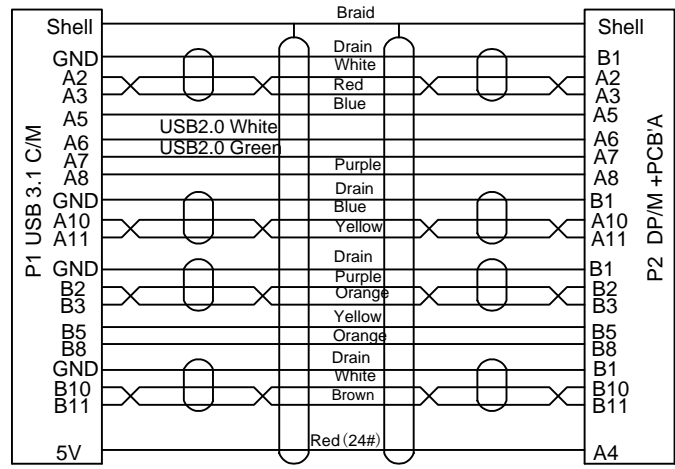
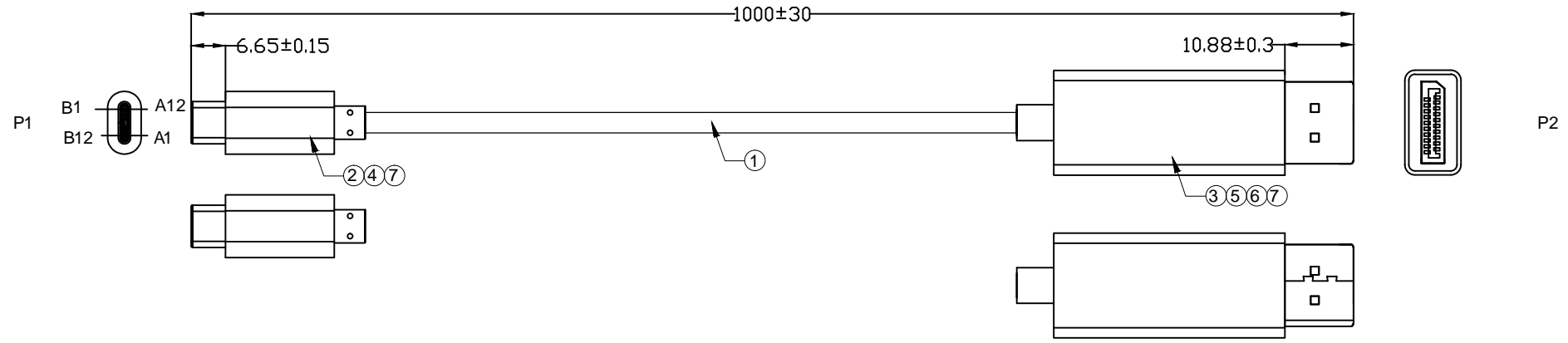


1 2 3 4 5 6 7

A
B
C
D
E
F
G
H

A
B
C
D
E
F
G
H



NOTE:
1.Solution: up to 3840x2160@60Hz
2.Deliver audio and video

①	Over mold	PVC 45P black	NA	G
②	Inner mold	LD-PE	NA	G
③	Shell	DP male shell, black ABS	1	PCS
④	Shell	Type-C male shell, black ABS	1	PCS
⑤	CONN	DP male,in gold flash,shell gold flash,without hook, with PCB	1	PCS
⑥	CONN	Type-C male,pin gold flash,shell gold flash	1	PCS
⑦	CABLE ②	UL20276 USB3.1 (32#*1P+D+AL+HM)*4C+32#*4C+32#*1P+24#*1C+AB, OD:4.7mm,BK PVC jacket No marking	1	PCS
NO.	NAME	DESCRIPTION	Q'TY	UNIT

RoHS compliant
Unit: mm

Scale	Free				Date	Name	Customer-No.
TOLERANCE					Drawn	13.12.2022	Daniel
					Approved	12.06.2023	Luca
		②	Update cable specification	12.06.2023	Luca		ASSMANN WSW-No. A-USB31C-02M-100
DIM	TOL	①	Update PN	24.04.2023	Daniel		Drawing-No. ASS 10360 CA rev02
		⑦	Drawn	13.12.2022	Daniel		Replace
Angle	TOL	Id.	Modification	Date	Name		Sheet 1 / 1



1 2 3 4 5 6 7