

1

2

3

4

5

6

7

A

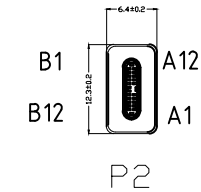
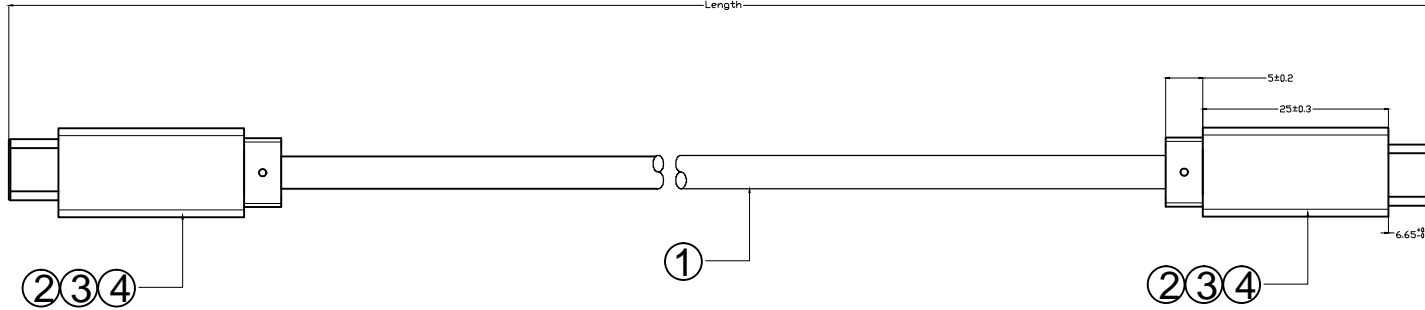
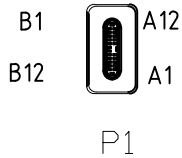
B

C

A

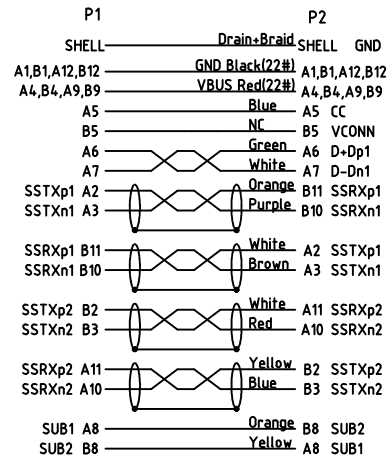
B

C



NOTE:  
 1. Transmission speed: 20Gbps  
 2. Conductive resistance: 5Ω Max  
 3. Insulation resistance: 10MΩ Min/300VDC, 10ms  
 4. 100% open, short, miswire test.  
 5. Charging: 20V/3A, 60W

① PIN ASSIGNMENT



WSW P/N	Length
A-USB32C2-32C2-025-A	250 <sup>+25</sup> <sub>-10</sub>
A-USB32C2-32C2-050-A	500 <sup>+25</sup> <sub>-10</sub>
A-USB32C2-32C2-100-A	1000±30

NO.	NAME	DESCRIPTION	Q'TY	UNIT
④	Over mold	PVC 45P BK	NA	G
③	AL Shell	Aluminum alloy casing, L:25*W:12.3*H:6.4mm	2	PCS
②	CONN	Type-C male, contact 3u" Au plated	2	PCS
①	CABLE	(7/0.08TC×FMPEØ0.58×1P+AL+MY)×4P+7/0.08TC×HDPEØ0.45×1P+7/0.08TC×HDPEØ0.45×4C+42/0.10TC×HDPEØ1.1×2C+AL+B96/0.08TC PVC Black OD5.0mm	1	PCS

D

E

F

D

E

F

RoHS compliant  
 Unit: mm

Scale	Free	Date	Name	Customer-No.
TOLERANCE	④	Update tolerance	18.07.2023	Luca
	③	Update appearance	31.05.2023	Luca
	②	Update cable spec	25.04.2023	Daniel
DIM	TOL	①	Update PNs	24.04.2023
		①	Drawn	09.12.2022
Angle	TOL	Id.	Modification	Date



ASSMANN WSW-No.  
 A-USB32C2-32C2-xxx-A

Drawing-No.  
 ASS 10363 CA rev04

Replace Sheet 1/1

1

2

3

4

5

6

7