

1

2

3

4

5

6

7

A

A

B

B

C

C

D

D

E

E

F

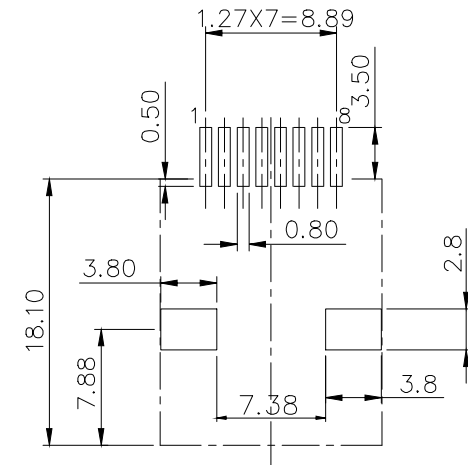
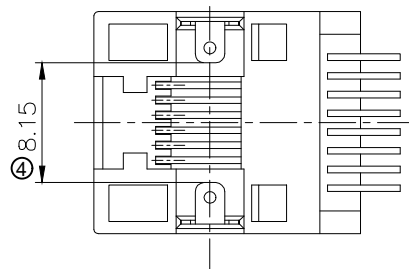
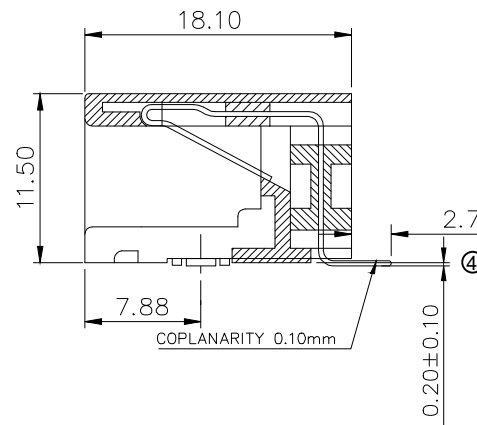
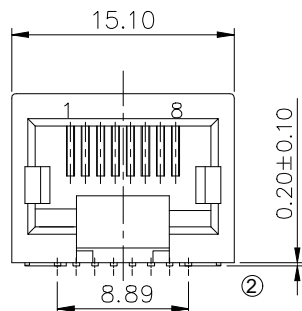
F

G

G

H

H



PC BOARD LAYOUT COMPONENT SIDE SHOWN

NOTES:

ELECTRICAL:

- 1. VOLTAGE RATING : 125 VAC RMS.
- 2. CURRENT RATING : 1.5 AMP.
- 3. CONTACT RESISTANCE : 35 MILLIOHMS MAX.
- 4. INSULATION RESISTANCE : 1000 MEGOHMS MIN @ 500 VDC.
- 5. DIELECTRIC STRENGTH : 1000 VAC RMS 60Hz, 1MIN.

MECHANICAL:

- 1. HOUSING MATERIAL : HIGHT TEMP UL94V-0 BK.
- 2. CONTACT MATERIAL : PHOSPHOR BRONZE t=0.35mm.
- ③3. PLATING : 6u" GOLD ON CONTACT AREA
100~200u" TIN ON SOLDER AREA
ALL OVER 30~50U" NICKEL.
- 4. OPERATING LIFE : 750 CYCLES MIN.
- 5. PCB RETENTION POST-SOLDER: 10 LBS MIN.

ENVIRONMENTAL:

- 1. STORAGE : -40°C TO +85°C.
- 2. OPERATION : -40°C TO +85°C.

RoHS compliant
Unit: mm



File No.: E345352

Scale	Free					Date	Name	Customer-No.	
TOLERANCE	⑤	Add the packing in page 2	20.09.2023	Segal	Drawn	15.07.2009	Dean	ASSMANN WSW-No. A-20042-LP/SMT-B	
.X	±0.20	④	Update the pin structure	12.10.2022	Segal	Approved	20.09.2023		Segal
.XX	±0.15	③	Update the contact plating	25.08.2015	Amy				
.XXX	±0.10	②	Correct drawing	18.05.2010	Dean			Drawing-No.	
DIM	TOL	①	Drawn	15.07.2009	Dean			ASS 1051B CO	
Angle	±5°	Id.	Modification	Date	Name	 A company of		rev05	
								Replace	SHEET 1/2

1

2

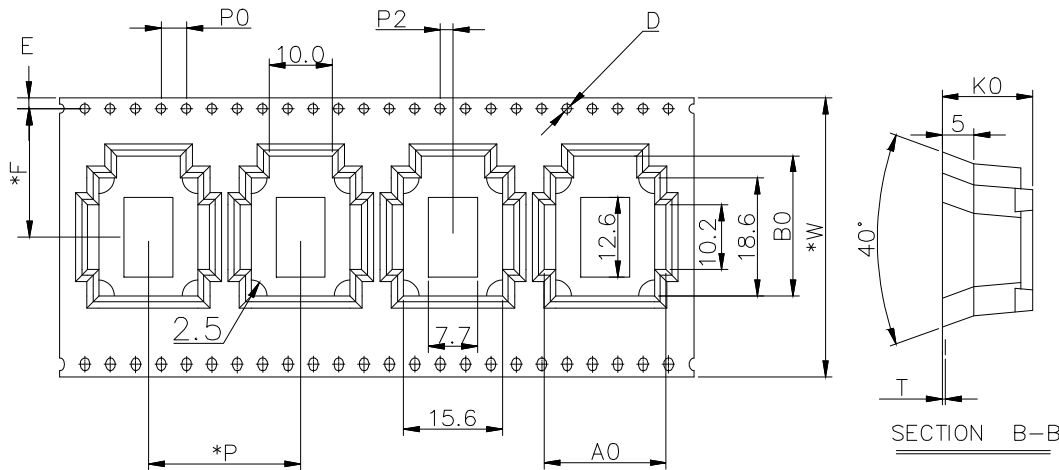
3

4

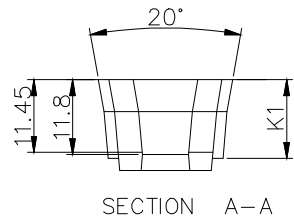
5

6

7



1. 10s pocket hole pitch cumulative tolerance $\pm 0.2\text{mm}$.
2. Carrier camber not to exceed 1mm in 100mm.
3. A0 and B0 measured on a plane 0.3mm above the bottom of the pocket.
4. K0 measured from a plane on the inside bottom of the pocket to the top surface of the carrier.
5. All dimensions meet EIA-418-2 requirements.
6. Material: Transparent Anti-static polystyrene.
7. Thickness: $0.50 \pm 0.05\text{mm}$.
8. Packing length per 22" reel: 12.6 Meters.
9. Component load per 13" reel: 150 pcs.



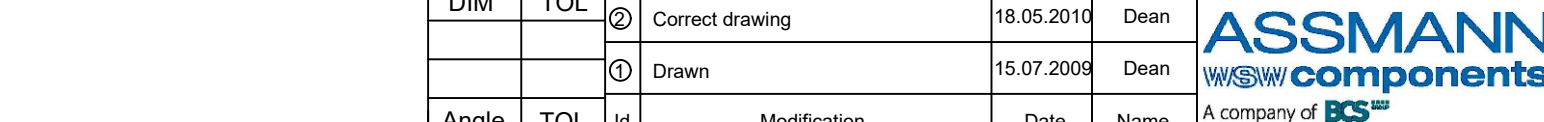
ITEM	W	A ₀	B ₀	K ₀	K ₁	P	F	E	D	D ₁	P ₀	P ₂
DIM	44.0±0.1	19.2±0.1	22.1±0.1	14.3±0.1	12.4±0.1	24.0±0.1	20.2±0.1	1.75±0.1	1.50±0.1	0.00±0.1	4.00±0.1	2.00±0.1

RoHS compliant
Unit: mm



File No.: E345352

Scale	Free					Date	Name	Customer-No.
TOLERANCE	⑤	Add the packing in page 2	20.09.2023	Segal	Drawn	15.07.2009	Dean	ASSMANN WSW-No. A-20042-LP/SMT-B
	④	Update the pin structure	12.10.2022	Segal	Approved	20.09.2023	Segal	
	③	Update the contact plating	25.08.2015	Amy				
DIM	TOL	②	Correct drawing	18.05.2010	Dean			Drawing-No. ASS 1051B CO
		①	Drawn	15.07.2009	Dean			Replace
Angle	TOL	Id.	Modification	Date	Name	A company of		SHEET 2/2



A company of

Scale	Free					Date	Name	Customer-No.
TOLERANCE	⑤	Add the packing in page 2	20.09.2023	Segal	Drawn	15.07.2009	Dean	ASSMANN WSW-No. A-20042-LP/SMT-B
	④	Update the pin structure	12.10.2022	Segal	Approved	20.09.2023	Segal	
	③	Update the contact plating	25.08.2015	Amy				
DIM	TOL	②	Correct drawing	18.05.2010	Dean			Drawing-No. ASS 1051B CO
		①	Drawn	15.07.2009	Dean			Replace
Angle	TOL	Id.	Modification	Date	Name	A company of		SHEET 2/2