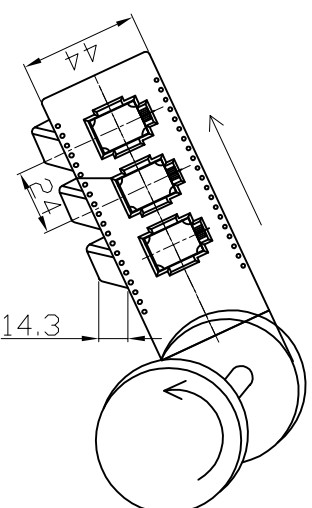
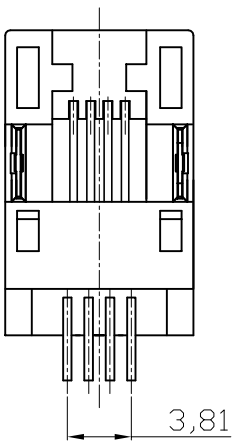


- NOTES:**
- ELECTRICAL:**
1. VOLTAGE RATING : 125 VAC.
 2. CURRENT RATING : 1,5 AMP.
 3. CONTACT RESISTANCE : 35 MILLIOHMS MAX.
 4. INSULATION RESISTANCE : 1000 MEGOHMS MIN. @ 500 VDC.
 5. DIELECTRIC STRENGTH : 1000 VAC 60Hz, 1MIN.
- MECHANICAL:**
1. HOUSING MATERIAL : HIGH TEMP. UL94V-0, BLACK.
 2. CONTACT MATERIAL : PHOSPHOR BRONZE l=0,35mm.
 - ③ 3. PLATING : 6µ" GOLD ON CONTACT AREA
100-200µ" TIN ON SOLDER AREA
ALL OVER 30-50µ" NICKEL.
 4. OPERATING LIFE : 750 CYCLES MIN.
 5. PCB RETENTION POST-SOLDER : 10 LBS MIN.



- ENVIRONMENTAL:**
1. STORAGE : -40°C TO +85°C.
 2. OPERATION TEMPERATURE : -40°C TO +85°C.
 3. REFLOW SOLDERING TEMPERATURE : 255°C-265°C (5-10 SECONDS).

RoHS compliant
Unit: mm



File No.: E345352

Scale	Free						
TOLERANCE							
.X	±0.20	④	Update the contact plating	25.08.2015	Amy	Drawn	24.09.2007
.XX	±0.15					Approved	25.08.2015
.XXX	±0.10	③	Update	15.07.2009	Dean		
DIM	TOL	②	Zeichnung überarbeitet	28.02.2008	N.Schulz		
Angle	±5°	①	Neuanlage	24.09.2007	N.Schulz		
		Id.	Modification	Date	Name		

ASSMANN
components

Customer-No.
ASSMANN WSW-No.
A-20040-LP/SMT-C
Drawing-No.
ASS 1052 CO
rev04
SHEET

1 2 3 4 5 6 7

H G F E D C B A