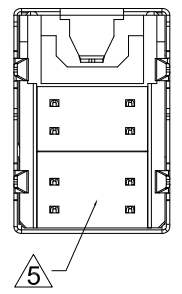
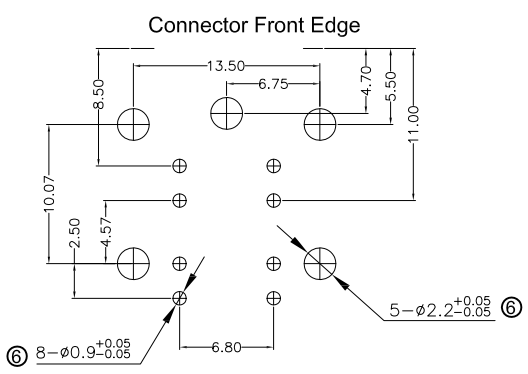


NOTES:
 1. MECHANICAL:
 1.1 MATING FORCE: 30N MAX;
 1.2 UNMATING FORCE: 5N MIN;
 1.3 DURABILITY: 500 CYCLES MIN.
 2. ELECTRICAL:
 2.1 CURRENT RATING: 2.0A;
 2.2 VOLTAGE RATING: 30V;
 2.3 WITHSTANDING VOLTAGE: 750V AC;
 2.4 CONTACT RESISTANCE: 30mΩ MAX;
 2.5 INSULATION RESISTANCE: 1000MΩ MIN;
 3. OPERATING TEMPERATURE: -25°C TO + 70°C.



Printed Circuit Board (PCB) Layout

④	COVER	PBT+30%GF	UL94V-0		BLACK
④	MID-UPWARD	PBT+30%GF	UL94V-0		BLACK
③	MID-DOWN	PBT+30%GF	UL94V-0		BLACK
②	CONTACT	COPPER ALLOY	T=0.20	1u" PLATING ON CONTACT AREA. 100u" MIN. Tin PLATING ON SOLDER TAIL AREA. 50u" MIN. NICKEL UNDER PLATING OVERALL.	
①	SHELL	SPCC-SD	T=0.30	BRIGHT Tin 100u" Min OVER Ni 50u" Min	
	NAME	MATERIAL		PLATING	COLOR

RoHS compliant
Unit: mm

Scale	Free	⑥	Update	07.01.2021	Segal		Date	Name	Customer-No.
TOLERANCE		⑤	Update	08.11.2017	Amy	Drawn	25.01.2005	Hellwig	ASSMANN WSW-No. A-DIO-DP/04
.X	±0.35	④	Modification	08.11.2012	Amy	Approved	07.01.2021	Segal	
.XX	±0.30	③	Redraw	07.08.2009	Dean				Drawing-No.
.XXX	±0.15	②	Update	28.07.2008	N.Schulz				ASS 1067 CO rev06
.X°	±3.0°	①	Drawn	25.01.2005	Hellwig				
.XX°	±2.0°								Replace
.XXX°	±1.0°								SHEET
DIM	TOL	Id.	Modification	Date	Name				



Customer-No.	
ASSMANN WSW-No.	A-DIO-DP/04
Drawing-No.	ASS 1067 CO rev06
Replace	SHEET

1

2

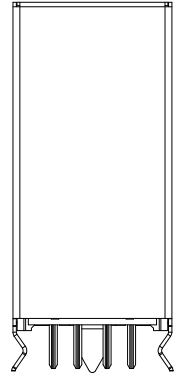
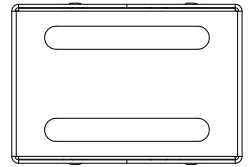
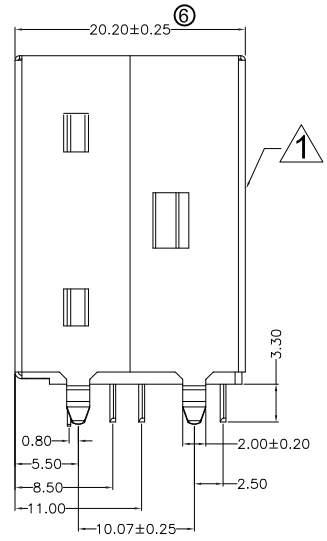
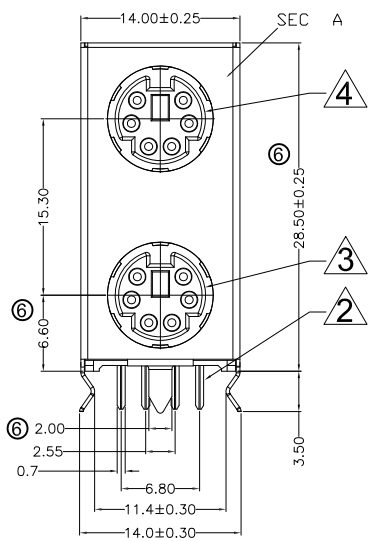
3

4

5

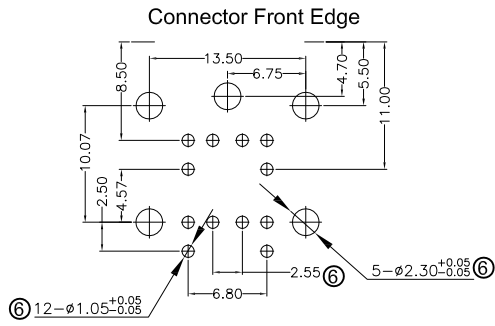
6

7

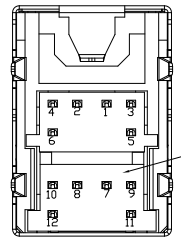


NOTES:
 1. MECHANICAL:
 1.1 MATING FORCE: 30N MAX;
 1.2 UNMATING FORCE: 5N MIN;
 1.3 DURABILITY: 500 CYCLES MIN.
 2. ELECTRICAL:
 2.1 CURRENT RATING: 2.0A;
 2.2 VOLTAGE RATING: 30V;
 2.3 WITHSTANDING VOLTAGE: 750V AC;
 2.4 CONTACT RESISTANCE: 30mΩ MAX;
 2.5 INSULATION RESISTANCE: 1000MΩ MIN;
 3. OPERATING TEMPERATURE: -25°C TO + 70°C.

WSW P/N	Connector Color	
A-DIO-DP/06	UP: Black	Bottom: Black
A-DIO-DP/06 GV	UP: Green	Bottom: Purple



Printed Circuit Board (PCB) Layout



COVER	PBT+30%GF UL94V-0		BLACK
MID-UPWARD	PBT+30%GF UL94V-0		BLACK GREEN
MID-DOWN	PBT+30%GF UL94V-0		BLACK PURPLE
CONTACT	COPPER ALLOY T=0.20	1u" PLATING ON CONTACT AREA. 100u" MIN. Tin PLATING ON SOLDER TAIL AREA. 50u" MIN. NICKEL UNDER PLATING OVERALL.	
SHELL	SPCC-SD T=0.30	BRIGHT Tin 100u" Min OVER Ni 50u" Min	
NAME	MATERIAL	PLATING	COLOR

RoHS compliant
Unit: mm

Scale	Free	⑥	Update	07.01.2021	Segal		Date	Name	Customer-No.
TOLERANCE		⑤	Update	08.11.2017	Amy	Drawn	25.01.2005	Hellwig	ASSMANN WSW-No. A-DIO-DP/06 xx
.X	±0.35	④	Modification	08.11.2012	Amy	Approved	07.01.2021	Segal	
.XX	±0.30	③	Redraw	07.08.2009	Dean				
.XXX	±0.15	②	Update	28.07.2008	N.Schulz				Drawing-No.
.X°	±3.0°	①	Drawn	25.01.2005	Hellwig				ASS 1067 CO
.XX°	±2.0°								rev06
.XXX°	±1.0°								
DIM	TOL	Id.	Modification	Date	Name				SHEET
									Replace



Customer-No.	
ASSMANN WSW-No.	A-DIO-DP/06 xx
Drawing-No.	ASS 1067 CO
Replace	rev06
	SHEET