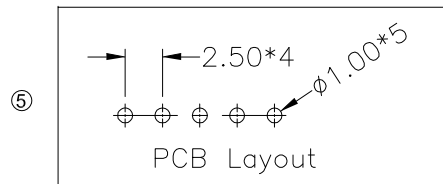
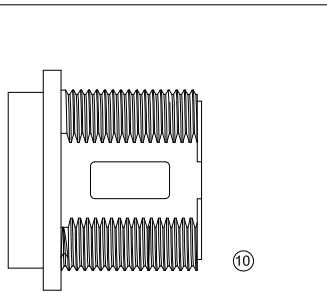
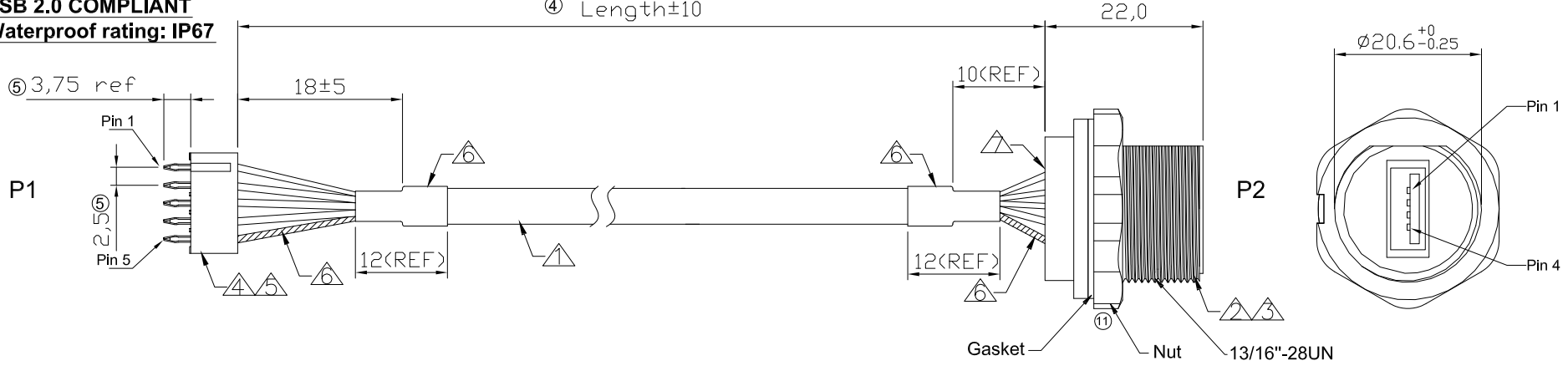


⑥ **USB 2.0 COMPLIANT**
Waterproof rating: IP67

④ Length±10



⑩ Testing Conditions:

- 1. Voltage: 300V DC/0.01;
- 2. Insulation Resistance: 10 Mohms min;
- 3. Conductive Resistance: 5 Ohms max;
- 4. 100% open and short electrical test;

⑧ 5. Operate Temperature: -20°C~+80°C;

⑨ 6. The Current Rating: 1.5A;

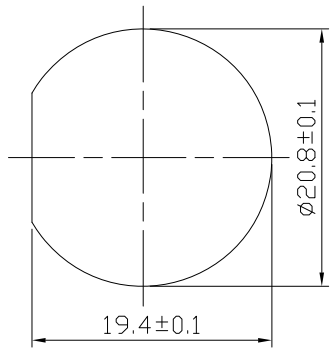
⑪ 7. Recommended use torque force: 1.0Nm Max.

④	WSW P/N	Length
	A-USB-APFS	50 mm
⑩	A-USB-APFS-100	100 mm
	A-USB-APFS-150	150 mm
	A-USB-APFS-200	200 mm
⑦	A-USB-APFS-250	250 mm

WIRE LIST

P1	PAIR	COLOR	P2
1	—	RED(24AWG)	1
2	—	WHITE(28AWG)	2
3	—	GREEN(28AWG)	3
4	—	BLACK(24AWG)	4
5	—	DRAIN	SHELL

①	Black glue A/B (ethoxyline resin)	3	g
②	BLACK HEAT SHRINKABLE CASING	4	PCS
③	TERMINAL:PHOSPHOR BRONZE. TIN-PLATED JWT:B2512TOP-2	5	PCS
④	HOUSING: PH2.5MM 5PIN JWT:B2512H00-05P	1	PCS
⑤	ABS 94V-0. BLACK 13/16"-28UN SHELLLED	1	SET
⑥	USB A/M CONNERTOR SOLDER	1	PCS
⑦	USB 2.0 28AWG*1P+24AWG*2C+AL.MY+D+B UL2725 JACKET BLACK PVC OD=5.0±0.2mm (UV RESISTANT)	1	PCS
⑧	ITEM	SPECIFICATION	Q'TY UNIT



Recommended Panel Cut-Out

RoHS compliant
 Unit: mm

Scale	Free	⑪	Update the nut and notes	07.12.2020	Segal	Date	Name	Customer-No.
TOLERANCE	±0.5	⑩	Cancel "A" logo and add new P/N version	10.08.2018	Segal	Drawn	20.08.2004	Helwig
		⑨	Add current rating information	08.08.2018	Segal	Approved	07.12.2020	Segal
		⑧	Add operate temperature	06.08.2018	Amy			
		⑦	Update	18.07.2018	Xavier			
		⑥	Add USB2.0 compliant and add notes	03.04.2018	Tom			
		Id.	Modification	Date	Name			ASSMANN WSW-No. ④ ⑦ A-USB-APFS A-USB-APFS-xxx
								Drawing-No.
						Replace	Sheet	