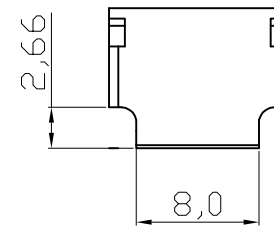
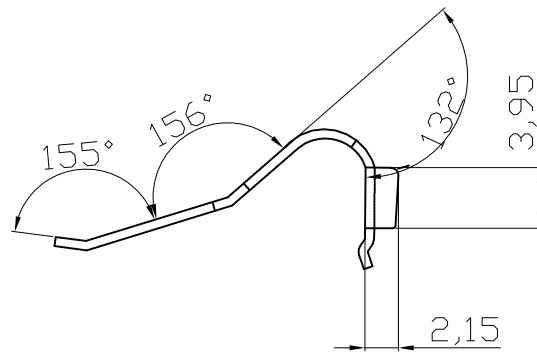
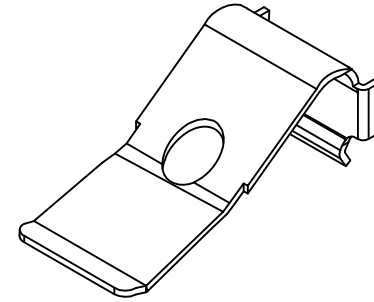
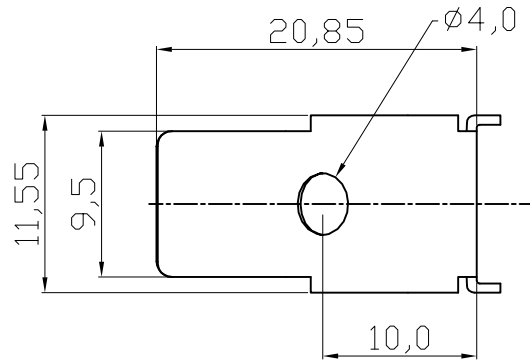


RoHS compliant

Unit:mm



Material: Spring steel t0.6mm
Finish: Nickel plated

Scale	FREE						Date	Name	Customer-No.			
TOLERANCE						Drawn	19.07.2012	Lucas	ASSMANN WSW-No. V220HK-W/OE			
UNIT	±0.3					Approved	19.07.2012	Lucas				
DIM	TOL								Drawing-No.			
X.°	±X°										ASS 2018 HS	rev00
X.X°	±X°	©	Drawn	19.07.2012	Lucas						Replace	Sheet
Angle	TOL	Id.	Modification	Date	Name							