

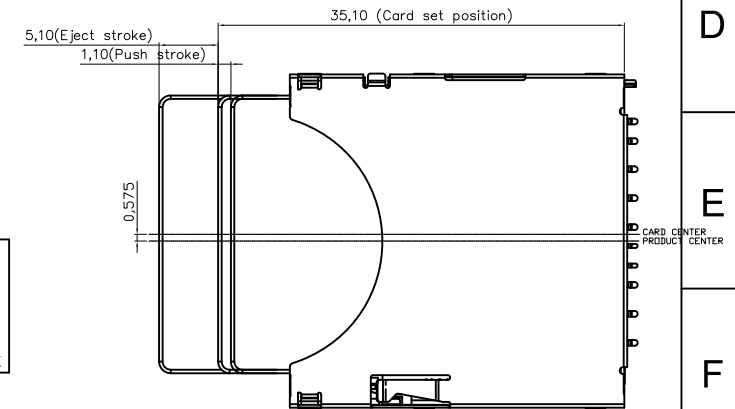
SPECIFICATION

MATERIAL

Insulator: Thermal Plastic UL94V-0, Black
 Contacts: Copper Alloy
 Shell: Stainless Steel
CONTACT PLATING
 Underplate: 50u"~100u" Nickel
 Contact Area: A-SD-09-C-A-1-3 :15u" Selective Gold
 A-SD-09-D-A-1-3 :30u" Selective Gold
 Solder Tails Area: 100u"~160u" Tin(Lead Free)

ELECTRICAL

Operation Voltage: 3.3 V
 Current Rating: 0.5 A
 Contact Resistance: 100 mohms Max.
 Insulation Resistance: 1000 Mohms Min. @ 500 VDC
 Dielectric Withstanding Voltage: 500 VAC / Minute
 Temperature Range: -25°C To +90°C
 Mating Cycles: 10,000 cycles, spring is not breaking.

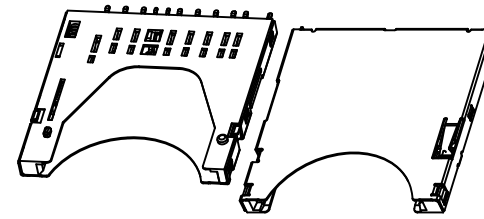
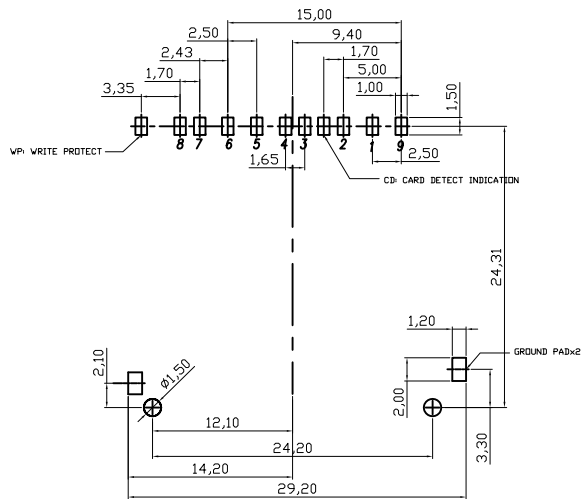


RoHS compliant

Scale	1:1						Date	Name	Customer-No.
TOLERANCE						Drawn	18.04.2007	Hellwig	
X.	±0.50					Approved	15.07.2010	Hellwig	ASSMANN WSW-No. A-SD-09-x-A-1-3
X.X	±0.30								
X.XX	±0.20	③	Update		15.07.2010				
DIM	TOL	②	Update		04.08.2009				Drawing-No.
Angle	±5°	①	Drawn		18.04.2007				ASS 2205 CO
Angle	TOL	Id.	Modification		Date	Name			rev03




Customer-No.	
ASSMANN WSW-No.	A-SD-09-x-A-1-3
Drawing-No.	ASS 2205 CO
Replace	rev03
SHEET	1 / 2



RECOMMENDED P.C.B. LAYOUT
TOLERANCE $\pm 0.05\text{mm}$

RoHS compliant

Scale	1:1					Date	Name	Customer-No.
TOLERANCE					Drawn	18.04.2007	Hellwig	ASSMANN WSW-No. A-SD-09-x-A-1-3
X.	± 0.50				Approved	15.07.2010	Hellwig	
X.X	± 0.30							Drawing-No.
X.XX	± 0.20	③	Update	15.07.2009	Rale			ASS 2205 CO
DIM	TOL	②	Update	04.08.2009	Rale			
Angle	$\pm 5^\circ$	①	Drawn	18.04.2007	Hellwig			Replace
Angle	TOL	Id.	Modification	Date	Name			SHEET 2 / 2