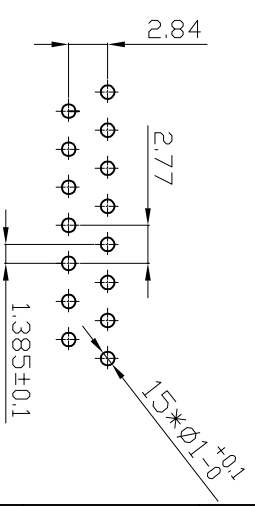
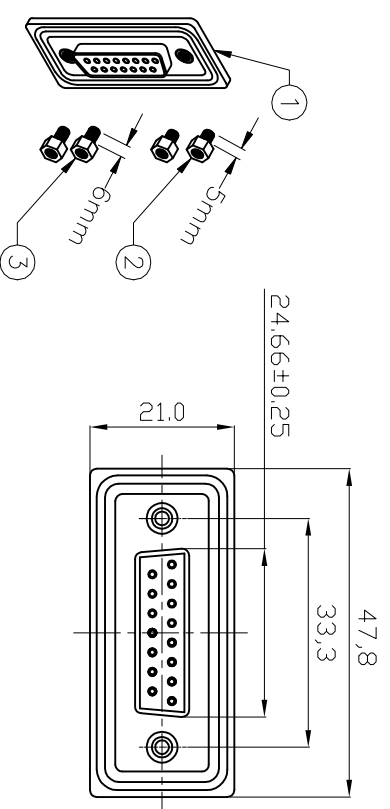
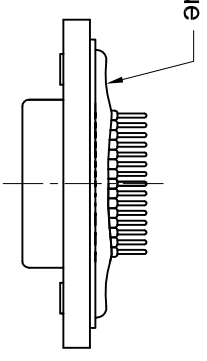
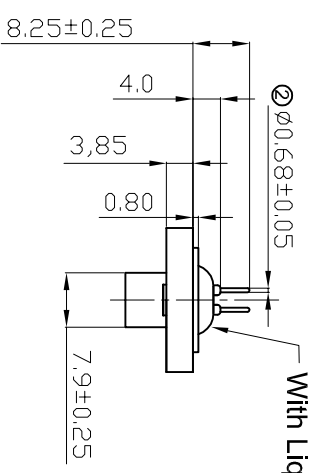
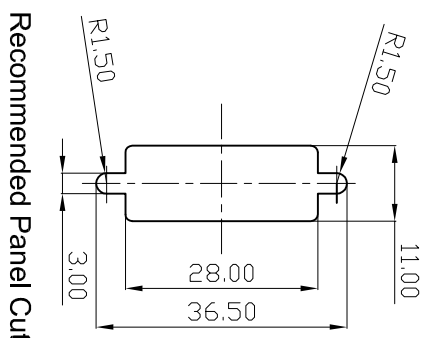


Panel Thickness
Screw L=5.0 For Panel Thickness Under 1.2mm
Screw L=6.0 For Panel Thickness Between 1.2-2.0mm



NOTES:
MATERIAL
1. Insulator Material: Black, NYLON+G/F
2. Contact Material : Copper Alloy
3. Plating : Gold Plating
4. Waterproof Rate: IP67
5. Do Mating Test After Glued

15 Pin Female Connector
PCB Pin Layout
Scale 2:1

RoHS compliant
Unit: mm

| Scale | Free | | | | | | | | |
|-----------|-------|--|--|--|--|--|--|--|--|
| TOLERANCE | | | | | | | | | |
| X.X | ±0.25 | | | | | | | | |
| X.XX | ±0.10 | | | | | | | | |
| X.XXX | ±0.05 | | | | | | | | |
| DIM | TOL | | | | | | | | |
| ANGLE | ±1° | | | | | | | | |
| X.X° | ±X° | | | | | | | | |
| Angle | TOL | | | | | | | | |

| Id. | Modification | Date | Name | Date | Name |
|-----|----------------------------------|------------|------|------------|------|
| ① | Drawn | 24.12.2008 | JACK | 24.12.2008 | JACK |
| ② | Cancel LOGO and change dimension | 24.01.2018 | Tom | 24.01.2018 | Amy |

ASSMANN
components

ASSMANN WSW-No.
A-DF 15 PP-WP

Drawing-No.
ASS 3254 CO

rev02

Replace Sheet

| | | | | | | | |
|---|---|---|---|---|---|---|---|
| A | 1 | 2 | 3 | 4 | 5 | 6 | 7 |
| B | 1 | 2 | 3 | 4 | 5 | 6 | 7 |
| C | 1 | 2 | 3 | 4 | 5 | 6 | 7 |
| D | 1 | 2 | 3 | 4 | 5 | 6 | 7 |
| E | 1 | 2 | 3 | 4 | 5 | 6 | 7 |
| F | 1 | 2 | 3 | 4 | 5 | 6 | 7 |
| G | 1 | 2 | 3 | 4 | 5 | 6 | 7 |
| H | 1 | 2 | 3 | 4 | 5 | 6 | 7 |