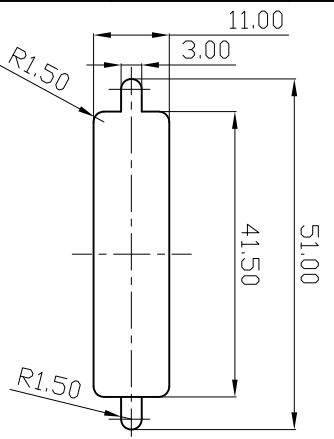
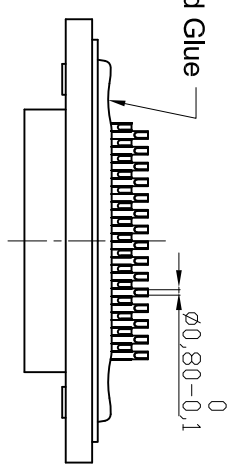
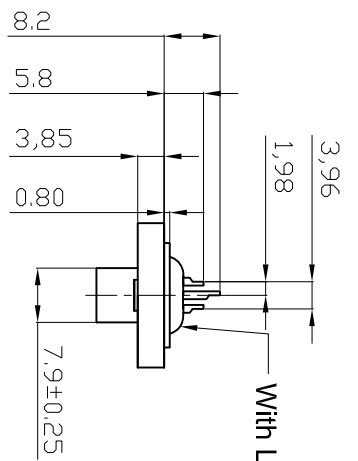


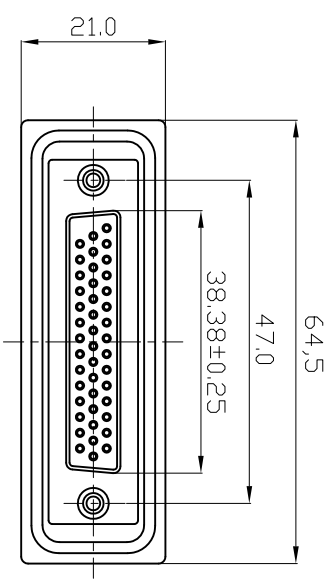
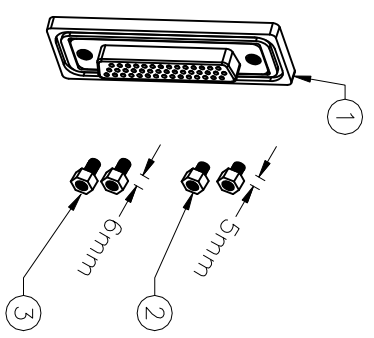
**Panel Thickness**  
 Screw L=5.0 For Panel Thickness Under 1.2mm  
 Screw L=6.0 For Panel Thickness Between 1.2-2.0mm



Recommended Panel Cut-Out



- NOTES:**
- MATERIAL**
1. Insulator Material: Black, NYLON+G/F
  2. Contact Material : Copper Alloy
  3. Plating : Gold Plating
  4. Waterproof Rate: IP67
  5. Do Mating Test After Glued
  6. Applicable Wire Range: 24AWG-28AWG



**RoHS compliant**

Scale	1:1								
TOLERANCE									
X.X	±0.25				Drawn	31.12.2008	JACK		
X.XX	±0.10				Approved	25.01.2018	Amy		
X.XXX	±0.05								
DIM	TOL	②	Cancel LOGO				Tom		
ANGLE	±1°	①	Drawn				JACK		
X.X°	±X°								
Angle	TOL		Id.	Modification					

Customer-No.					
ASSMANN WSW-No.					
<b>A-HDF 44 LL-WP</b>					
Drawing-No.					
<b>ASS 3285 CO</b>					
Replace					
rev02					
Sheet					

1	2	3	4	5	6	7
H	G	F	E	D	C	B