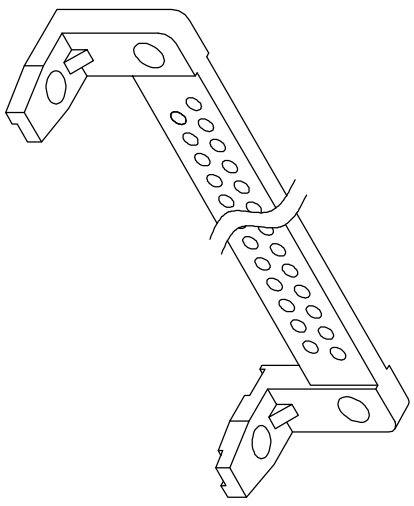
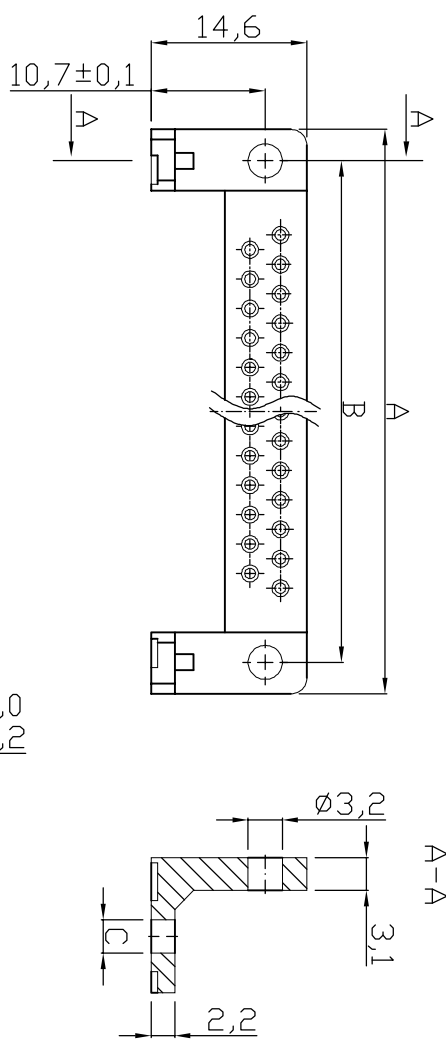


1	2	3	4	5	6	7
---	---	---	---	---	---	---

Dimensions

Positions	A	B	C
09	30.9	25	∅4.1
15	39.2	33.3	∅3.1
25	53	47	∅3.1



Material: PBT GF UL 94V-0, Black

RoHS compliant

Scale	TOLERANCE	Customer-No.	ASSMANN WSW-No.	Drawing-No.	Replace
X.	±X		ABW XX	ASS 3551 CO	rev02
X.X	±X				
X.XX	±X				
X°	±X				
		② Update drawing	05.05.2017	C.Bakula	
		① Drawn	02.07.2009	Dean	
		Id.	Modification	Date	Name



1	2	3	4	5	6	7	Sheet	St/xxx
---	---	---	---	---	---	---	-------	--------