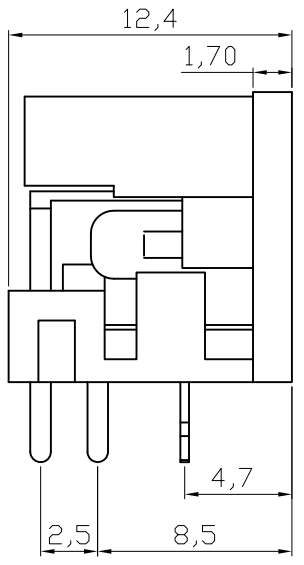
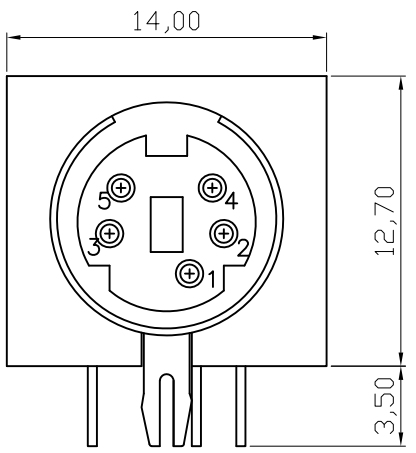


A



- 1.Material:
Contacts :Brass
Housing: PBT+30% G.F. UL 94V-0;Black
- 2.Electrical:
Current-max[amps] 0.3AMP DC30V
Withstanding Voltage 1000V AC MIN.
Contact Resistance [ohms] 30 milliohms max
Insulation Resistance [ohms] 100 Megohms min
- 3.Plating:
Contacts: Full gold flash
- 4.Environmental
Temperature Range -25°C~+85°C

A

B

B

C

C

D

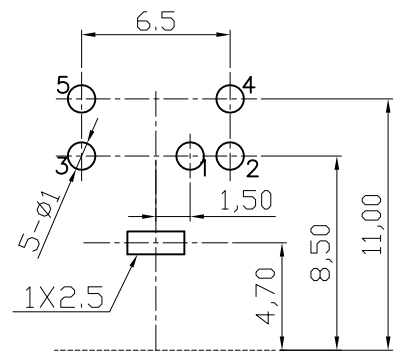
D

E

E

F

F



Recommended PCB Layout
Top View Tolerance(±0,05)

RoHS compliant

Scale	1:1						Date	Name	Customer-No.
TOLERANCE						Drawn	15.07.2009	Rale	
X.X	±0.38					Approved	25.11.2010	Gerber	ASSMANN WSW-No.
X.XX	±0.25								A-DIO-M05
X.XXX	±0.15								Drawing-No.
DIM	TOL	②	Change the manufacture plant	25.11.2010	Alex	ASSMANN WSW components	ASS 3564 CO		rev02
X.°	±1°				Rale		Replace	Sheet	
X.X°	±X°	①	Drawn	15.07.2009					
Angle	TOL	Id.	Modification	Date	Name				

G

H

H