

1

2

3

4

5

6

7

A

A

Material: Brass  
Plating: Au over Ni

B

B

C

C

D

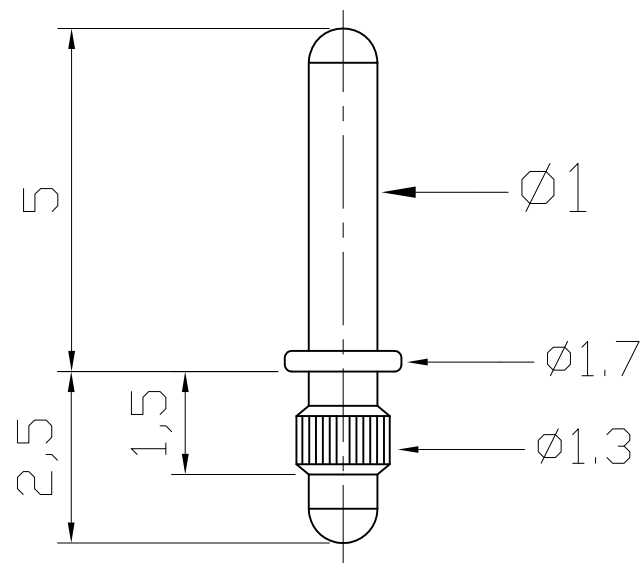
D

E

E

F

F



G

G

RoHS compliant

Scale	1:1						Date	Name	Customer-No.	
TOLERANCE						Drawn	09.09.2009	Dean	ASSMANN WSW-No.	
X.	$\pm X$					Approved	09.09.2009	Hellwig	AL 33	
X.X	$\pm X$								Drawing-No.	
X.XX	$\pm X$								ASS 3699 CO	
DIM	TOL								rev01	
X.°	$\pm X^\circ$								Sheet	
X.X°	$\pm X^\circ$	①	Drawn	09.09.2009	Dean					
Angle	TOL	Id.	Modification	Date	Name			Replace	Sheet	

H

H

1

2

3

4

5

6

7