

1

2

3

4

5

6

7

A

A

B

B

C

C

D

D

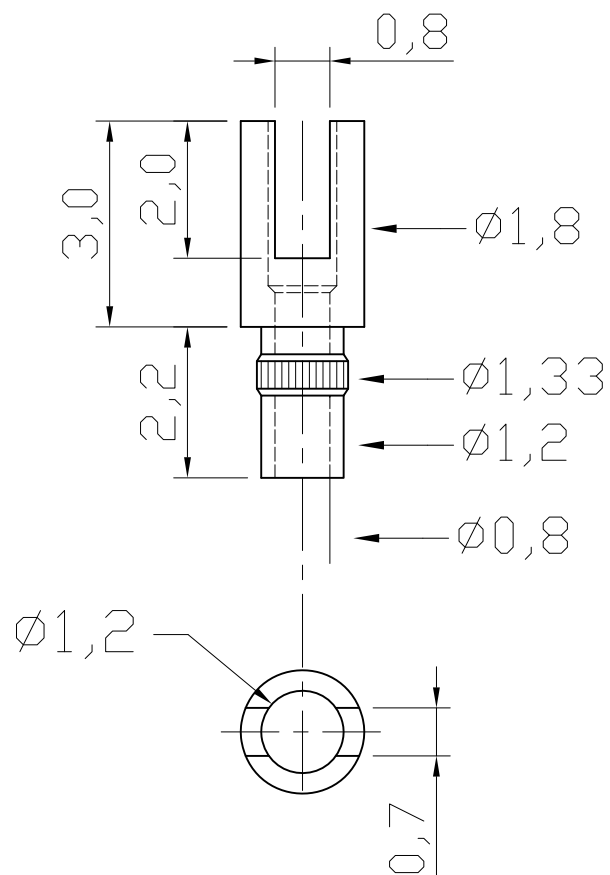
E

E

F

F

Material: CuZn39Pb3
Plating: Au over Ni



RoHS compliant

Scale	1:1						Date	Name	Customer-No.
TOLERANCE						Drawn	09.09.2009	Dean	
X.	$\pm X$					Approved	09.09.2009	Hellwig	ASSMANN WSW-No.
X.X	$\pm X$								ALP 52
X.XX	$\pm X$								Drawing-No.
DIM	TOL							ASS 3701 CO	rev01
X.°	$\pm X^\circ$								
X.X°	$\pm X^\circ$	①	Drawn	09.09.2009	Dean				
Angle	TOL	Id.	Modification	Date	Name	Replace		Sheet	

1

2

3

4

5

6

7

H

H