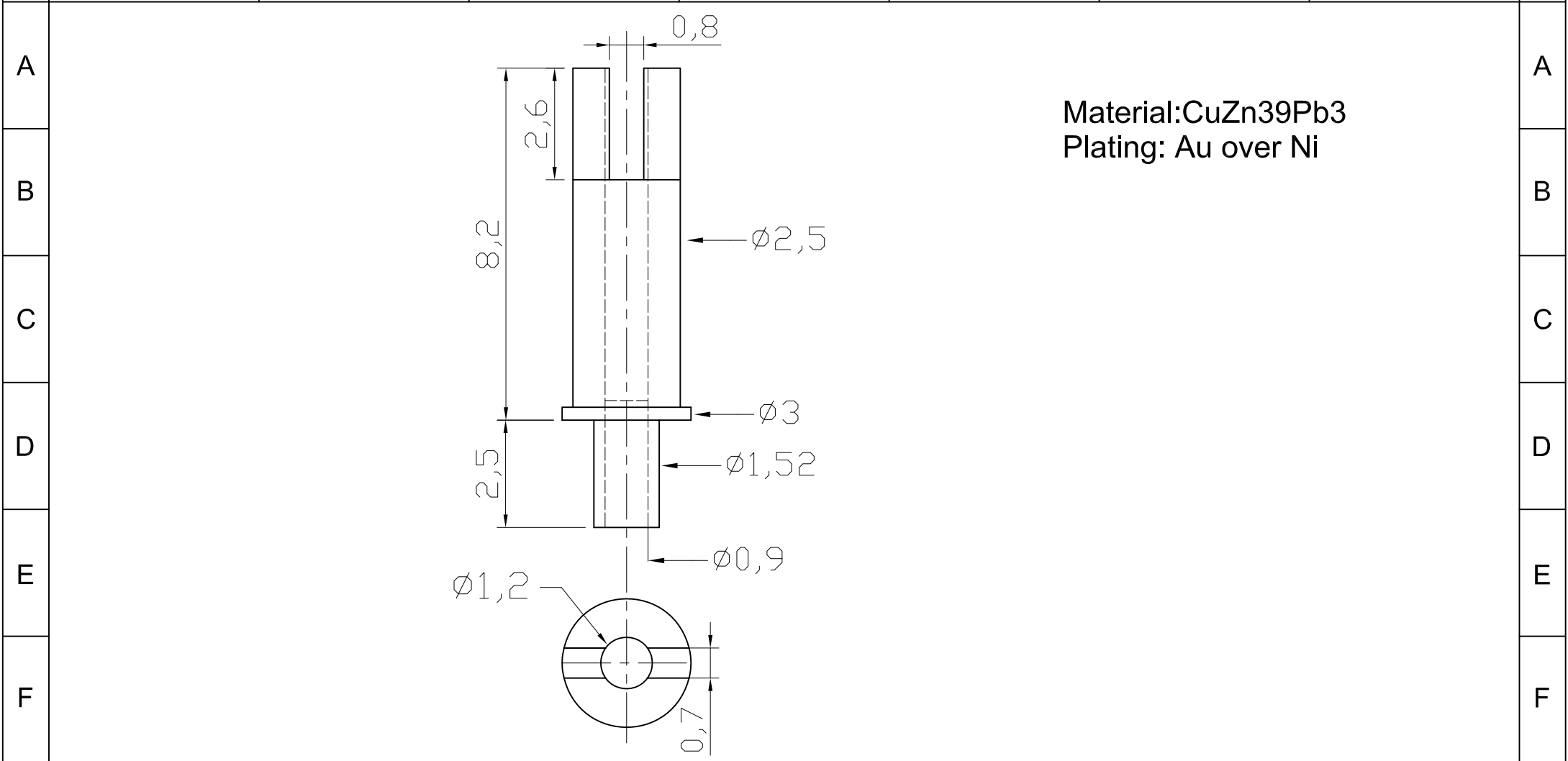


1 2 3 4 5 6 7



RoHS compliant

Scale	1:1					Date	Name	Customer-No.	
TOLERANCE					Drawn	09.09.2009	Dean		
X.	$\pm X$				Approved	09.09.2009	Hellwig	ASSMANN WSW-No.	
X.X	$\pm X$							ALP 54	
X.XX	$\pm X$							Drawing-No.	
DIM	TOL							ASS 3705 CO	
X.°	$\pm X^\circ$								rev01
X.X°	$\pm X^\circ$	①	Drawn	09.09.2009				Dean	
Angle	TOL	Id.	Modification	Date	Name			Replace	Sheet

1 2 3 4 5 6 7