

1 2 3 4 5 6 7

A

A

B

B

C

C

D

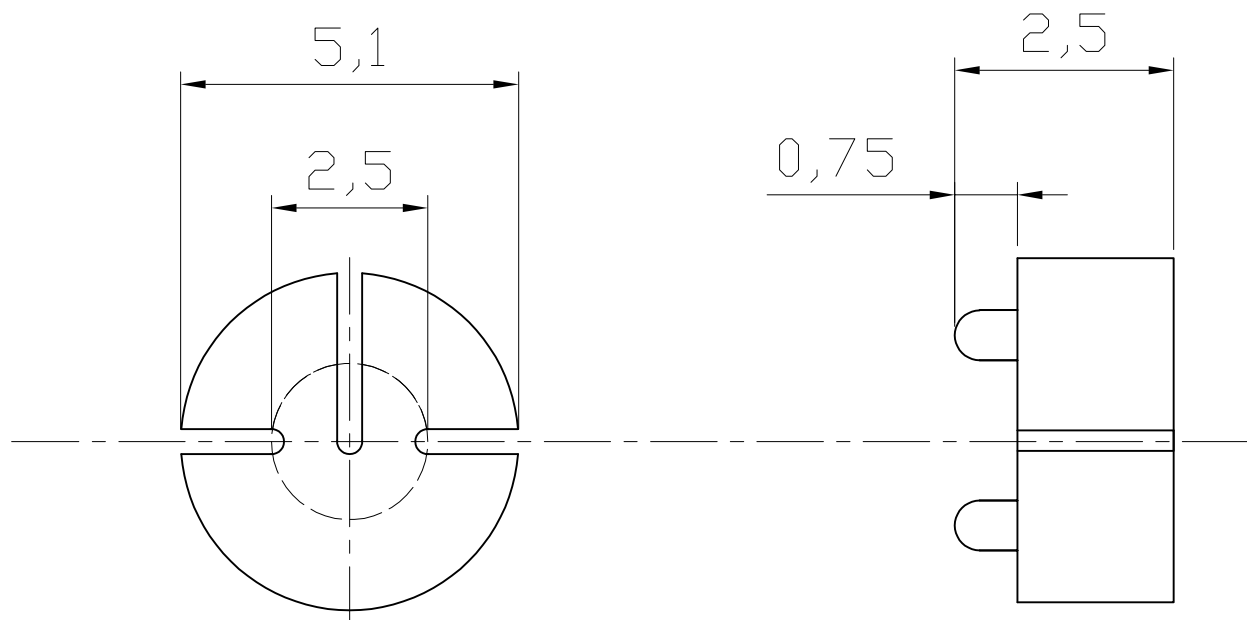
D

E

E

F

F



RoHS compliant
Unit:mm

Material : PA 6

Scale	1:1					Date	Name	Customer-No.
TOLERANCE						Drawn	28.09.18	Florian
X.	±X					Approved	01.07.2021	Larsen
X.X	±X							
X.XX	±X							
DIM	TOL	①	Modify layout / Change Material	01.07.2021	Larsen			
X.°	±X°	②	Drawn	28.09.18	Florian			
X.X°	±X°							
Angle	TOL	Id.	Modification	Date	Name	Drawing-No.		ASS 3952 HS
						Replace		rev01
								Sheet

1 2 3 4 5 6 7

H

H