

NOTES:

MATERIAL

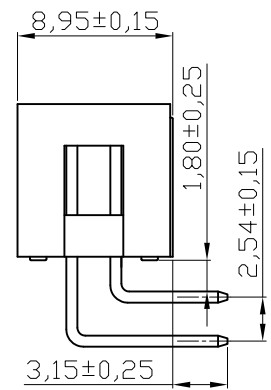
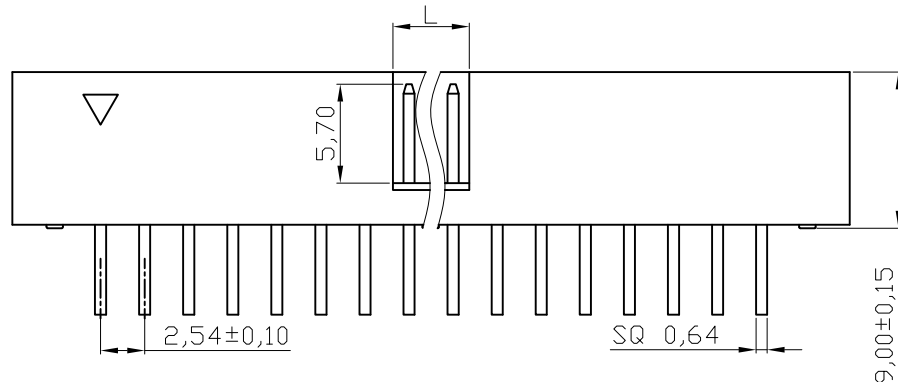
1. Insulator Material: PBT+30%GF(UL94V-0), Grey
2. Contact Material : Brass
3. Contact Plating : Tin Over Ni

ELECTRICAL

1. Current Rating : 3AMP
2. Withstand Voltage : 500V AC/Minute
3. Contact Resistance : 20mΩ max
4. Insulation Resistance : 1000MΩ min

ENVIRONMENTAL


1. Operation Temperature: -40°C to +105°C
2. Packing : Tray packing



Order information:
 xx : 06,08,10,12,14,16,18,20,24
 26,30,34,40,50,60,64

Dimension antitheses list	
NO. Pin	L
6P-8P	4.00
10P-64P	4.40

RoHS compliant

Scale	Free					Date	Name	Customer-No.
TOLERANCE						Drawn	29.12.2009	Dean
X.X	±0.40					Approved	05.12.2012	Amy
X.XX	±0.25							
X.XXX	±0.15							
DIM	TOL	②	Update the drawing-no.	05.12.2012	Amy			
Angle	±3°	①	Drawn	29.12.2009	Dean			
		Id.	Modification	Date	Name			

ASSMANN WSW-No. AWHW xxA-0502-T	
Drawing-No. ASS 4010 CO	rev02
Replace	Sheet