

1

2

3

4

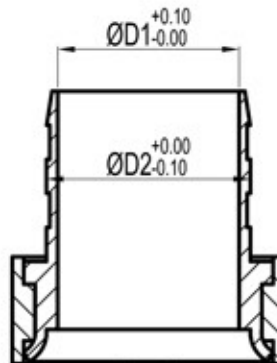
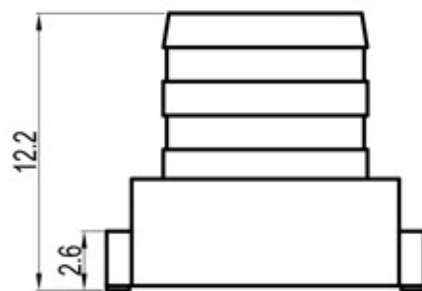
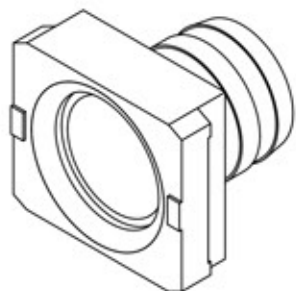
5

6

7

A

A



## TECHNICAL SPECIFICATIONS

Material: Raw Zinc body + Brass ferrule  
Plating on ferrule: Nickel

B

B

C

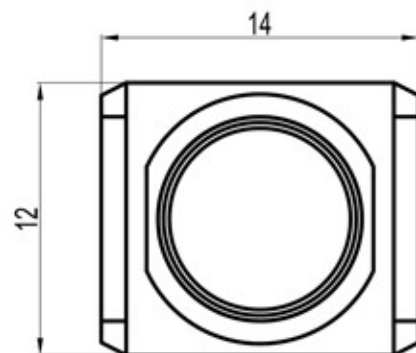
C

### Crimp Ferrule ACOV-000-01-MBxx

ØD1	ØD2	Var.
3.0	4.0	MB1
3.5	4.5	MB2
4.0	5.0	MB3
4.5	5.5	MB4
5.0	6.0	MB5
5.5	6.5	MB6
6.0	7.0	MB7
6.5	7.5	MB8
7.0	8.0	MB9
7.5	8.5	MB10
8.0	9.0	MB11
8.5	9.5	MB12
9.0	10.0	MB13

D

D



E

E

F

F

**RoHS compliant**  
Unit: mm

Scale	Free				Date	Name	Customer-No.
TOLERANCE					Drawn	17.08.2017	S.Bölling
0~6	±0.10				Approved	17.08.2017	S.Bölling
6~30	±0.20						
30~120	±0.30						
120~400	±0.50						
DIM	Tol						
Angle	±1°	© Drawn	17.08.2017	S.Bölling			
Angle	Tol	Id.	Modification	Date			

Customer-No.

Drawn 17.08.2017 S.Bölling

Approved 17.08.2017 S.Bölling

ASSMANN WSW-No.  
ACOV-000-01-MBxx

Drawing-No.

ASS\_5287\_CO

rev00

Replace

Sheet 1/1

H

H

1

2

3

4

5

6

7

SV4382