

1

2

3

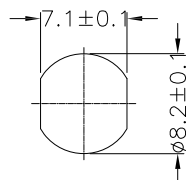
4

5

6

7

A



Recommended Panel Cut-Out

B

C

D

E

F

G

H

A

B

C

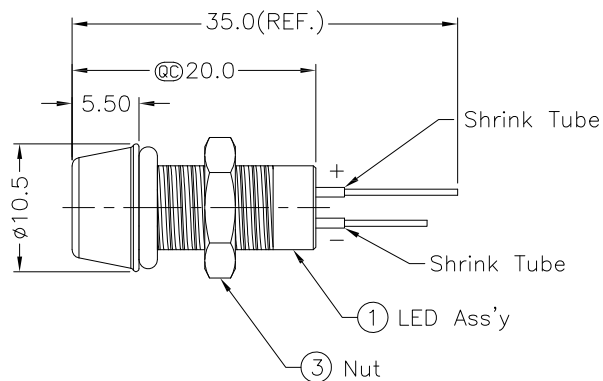
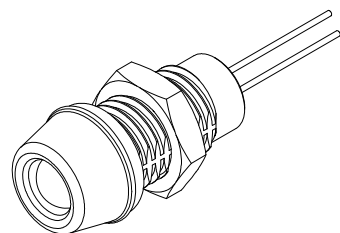
D

E

F

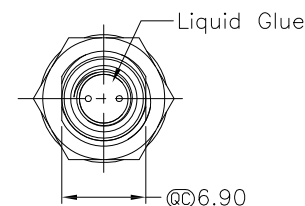
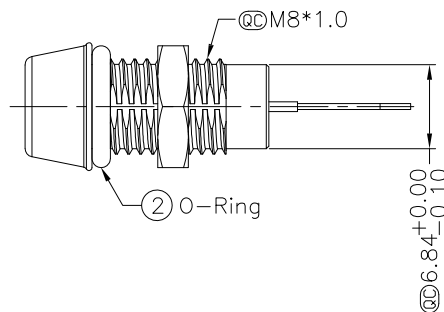
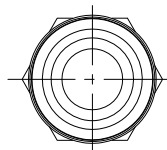
G

H



## ① Notes:

- Ⓞ Important Dimension To Check
- Waterproof Rate: IP67
- LED Holder: Brass, Nickel Plating
- LED: Ø5 mm, Blue
- Forward Voltage: Blue Typ. 4V
- Forward Current: Blue Typ. 30mA
- Luminous Intensity: Blue Typ. 4150(Mcd)
- Reverse Voltage: DC 5V
- Gasket: EPDM, Black
- Screw Nut: Brass, Nickel Plating
- Operating Temperature: -40~+80°C
- For Panel Thickness 6.5 max.



RoHS compliant

Scale	Free				Date	Name	Customer-No.
TOLERANCE					Drawn	11.03.2014	Winnie
.X	±0.25				Approved	27.08.2020	Segal
.XX	±0.10						
.XXX	±0.05						
Angle	±1°	①	Update the specification	27.08.2020	Segal	ASSMANN WSW-No. A-LED8-1BBAS-MR7-1	
		Ⓞ	Drawn	11.03.2014	Winnie	Drawing-No.	ASS 6227 CO
		Id.	Modification	Date	Name	Replace	rev01
						Sheet	

**ASSMANN**  
WSW components

1

2

3

4

5

6

7