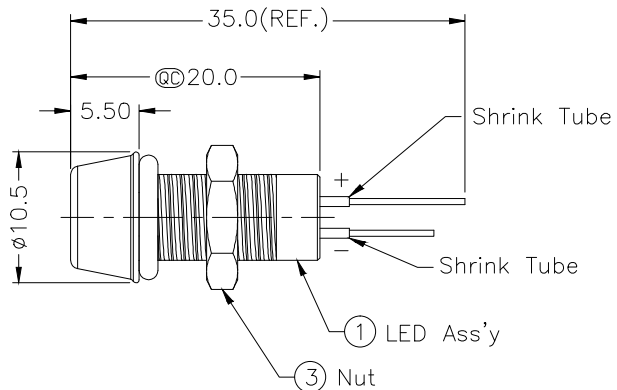
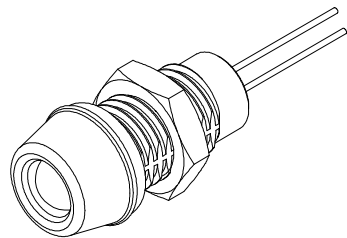
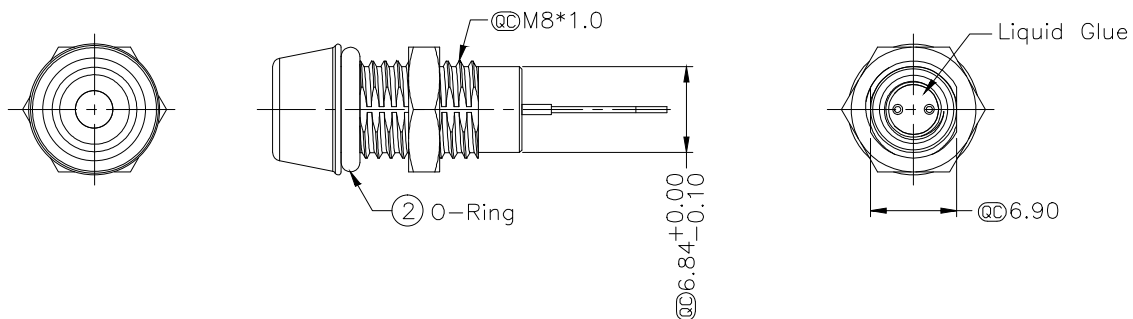


Recommended Panel Cut-Out



② Notes:

- ② Important Dimension To Check
- Waterproof Rate: IP67
- LED Holder: Brass, Nickel Plating
- LED: $\varnothing 3$ mm, Green
- O-Ring: EPDM, Black
- Screw Nut: Brass, Nickel Plating
- Operating Voltage: DC 4V
- Operating Temperature: $-40 \sim +80^{\circ}\text{C}$
- For Panel Thickness 6.5mm Max.
- Forward Voltage: Green Typ. 3.5V/Max. 4(V)
- Forward Current: Green Max. 30mA
- Reverse Voltage: DC 5V
- Luminous Intensity: Green Min. 2950/Typ. 5000(Mcd)
- ① Nut Torque: 2.5~3.5kgf.cm



RoHS compliant

Scale	Free					Date	Name	Customer-No.
TOLERANCE						Drawn	11.03.2014	Winnie
.X	± 0.25					Approved	06.08.2021	Winnie
.XX	± 0.10							ASSMANN WSW-No.
.XXX	± 0.05	②	Update the notes	06.08.2021	Segal			A-LED8-1GAAS-MR7-1
Angle	$\pm 1^{\circ}$	①	Add the nut torque	07.05.2014	Winnie			Drawing-No.
		③	Drawn	11.03.2014	Winnie			ASS 6228 CO
		Id.	Modification	Date	Name	Replace		Sheet