

1

2

3

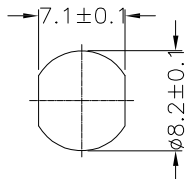
4

5

6

7

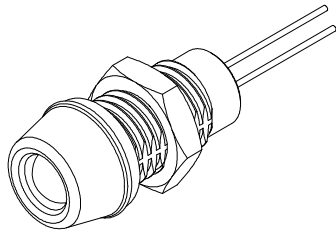
A



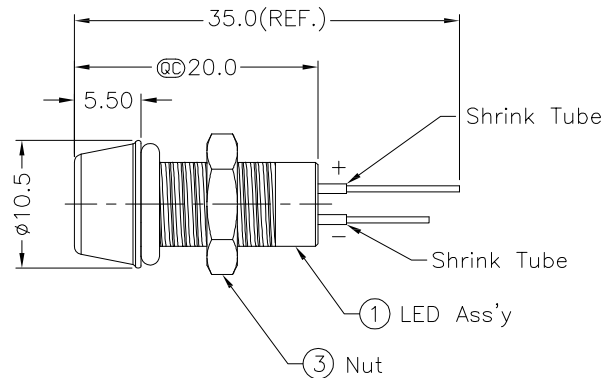
B

Recommended Panel Cut-Out

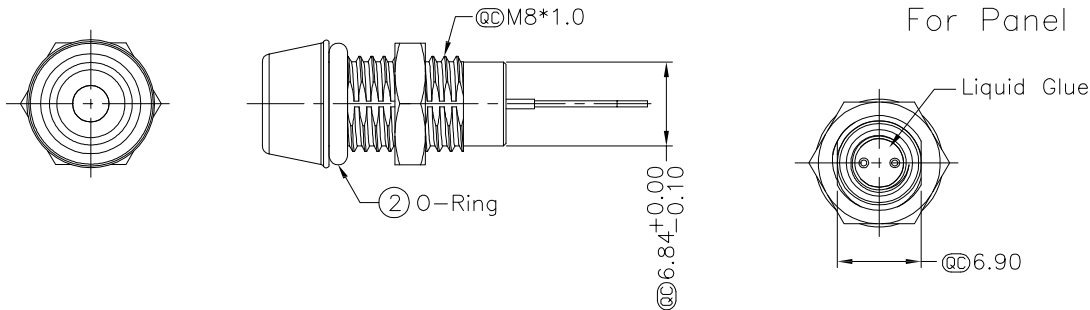
C



D



E



F

Notes:

Ⓢ Important Dimension To Check

Waterproof Rate: IP67

LED Holder: Brass, Nickel Plating

LED Spec:

∅5mm, Green LED

Lens Color: Water Clear

Forward Voltage: Green Typ. 3.5V

Forward Current: Green Typ. 30mA

Luminous Intensity: Green Typ. 6100(Mcd)

Reverse Voltage: DC 5V

Operating Temperature: -40~+80°C

Gasket: EPDM, Black

Screw Nut: Brass, Nickel Plating

For Panel Thickness 6.5 max.

A

B

C

D

E

F

RoHS compliant

G

H

Scale	Free					Date	Name	Customer-No.
TOLERANCE					Drawn	11.03.2014	Winnie	ASSMANN WSW-No. A-LED8-1GBAS-MR7-1
.X	±0.25				Approved	11.03.2014	Winnie	
.XX	±0.10							
.XXX	±0.05							Drawing-No.
Angle	±1°							ASS 6230 CO
		Ⓢ Drawn		11.03.2014	Winnie			rev00
		Id.	Modification	Date	Name			Replace

G

H

1

2

3

4

5

6

7