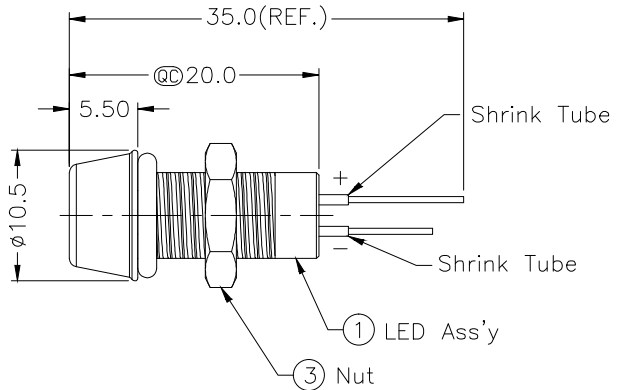
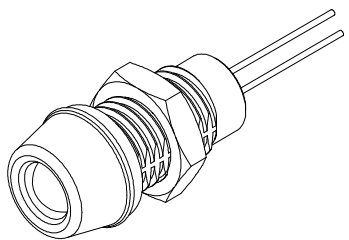
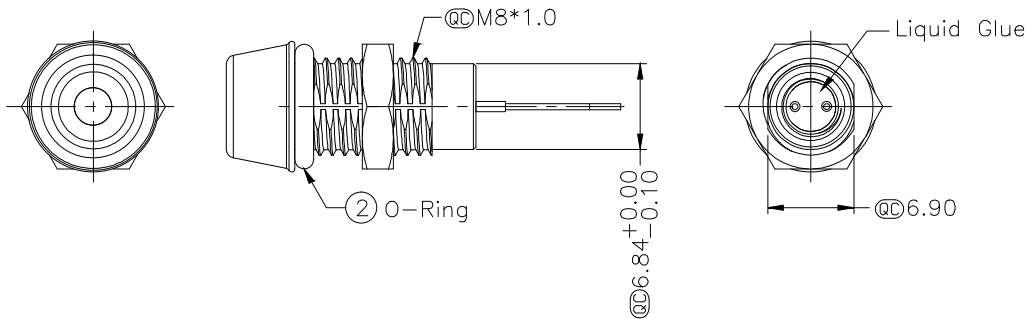


Recommended Panel Cut-Out



- ① Notes:
- Ⓞ Important Dimension To Check
 - Waterproof Rate: IP67
 - LED Holder: Brass, Nickel Plating
 - LED: $\varnothing 3$ mm, Red
 - O-Ring: EPDM, Black
 - Screw Nut: Brass, Nickel Plating
 - Operating Voltage: DC 4V
 - Operating Temperature: $-40 \sim +80^{\circ}\text{C}$
 - For Panel Thickness 6.5mm Max.
 - Forward Voltage: Red Typ. 2.2V/Max. 2.4(V)
 - Forward Current: Red Max. 30mA
 - Reverse Voltage: DC 5V
 - Luminous Intensity: Red Min. 1080/Typ. 2000(Mcd)



RoHS compliant

Scale	Free
TOLERANCE	
.X	±0.25
.XX	±0.10
.XXX	±0.05
Angle	±1°

①	Update the notes	06.08.2021	Segal
Ⓞ	Drawn	11.03.2014	Winnie
Id.	Modification	Date	Name



Date	Name	Customer-No.
11.03.2014	Winnie	
06.08.2021	Segal	ASSMANN WSW-No. A-LED8-1RAAS-MR7-1
Drawing-No.		ASS 6231 CO
Replace		rev01
		Sheet