

1

2

3

4

5

6

7

A

B

C

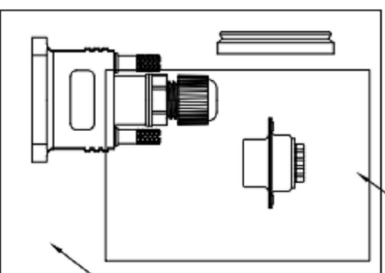
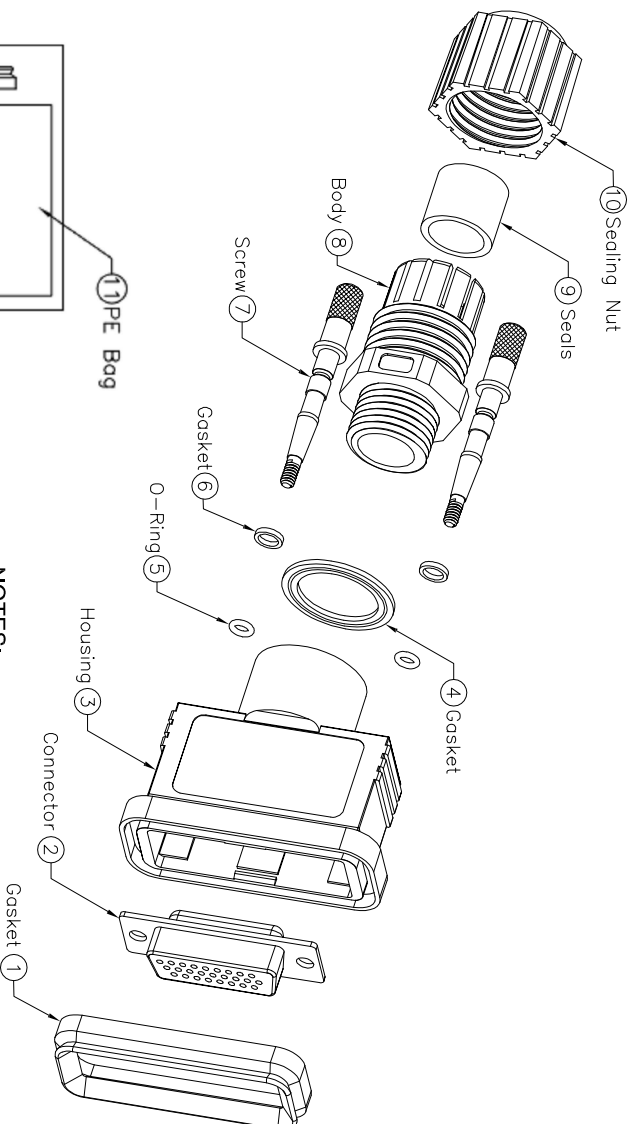
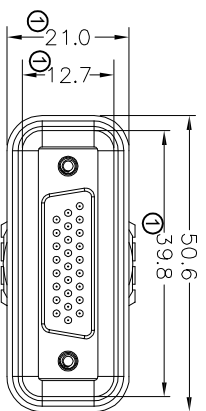
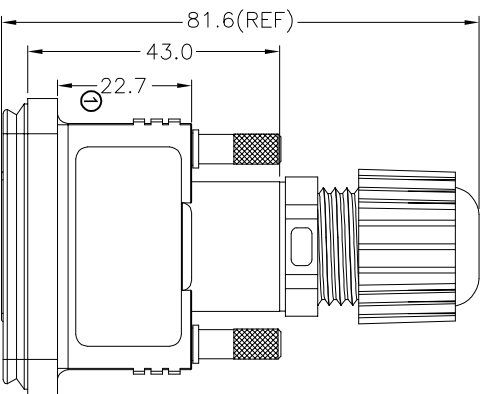
D

E

F

G

H



- NOTES:**
1. Waterproof rate: IP67
 2. Gasket: EPDM Black
 3. Housing: ABS Black
 4. Screw: Brass
 5. O-ring: Silicone Clear
 6. Body: Nylon Black
 7. Sealing Nut: Nylon Black
 8. Connector: HD-Sub 26Pin Female, pin in full gold plated
 9. Seals for Cable OD:ø6.0mm-ø10.0mm
 10. One Set Unassembled in One Zipper Bag

ROHS compliant
Unit: mm

Scale	Free	Customer-No.	
TOLERANCE		Drawn	22.04.2014
		Approved	03.04.2018
UNIT	±0.5		
DIM	TOL		
① Cancel "A" logo&correct dimensions		03.04.2018	Amy
② Drawn		22.04.2014	Joanna
Angle	TOL	Modification	Date
			Name

ASSMANN	Date	Name	Customer-No.
Drawn	22.04.2014	Joanna	ASSMANN WSW-No.
Approved	03.04.2018	Amy	A-HDF26-HOOD-WP

Drawing-No.	Replace	Sheet
ASS 6261 CO		rev01

1

2

3

4

5

6

7

A

B

C

D

E

F

G

H