

1

2

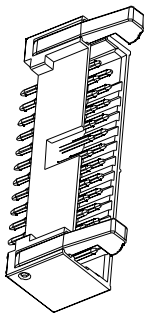
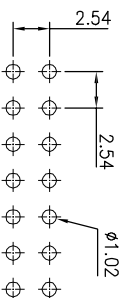
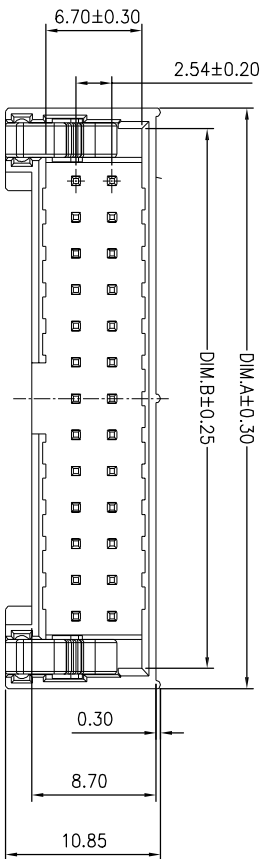
3

4

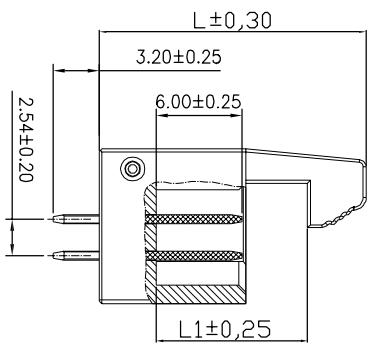
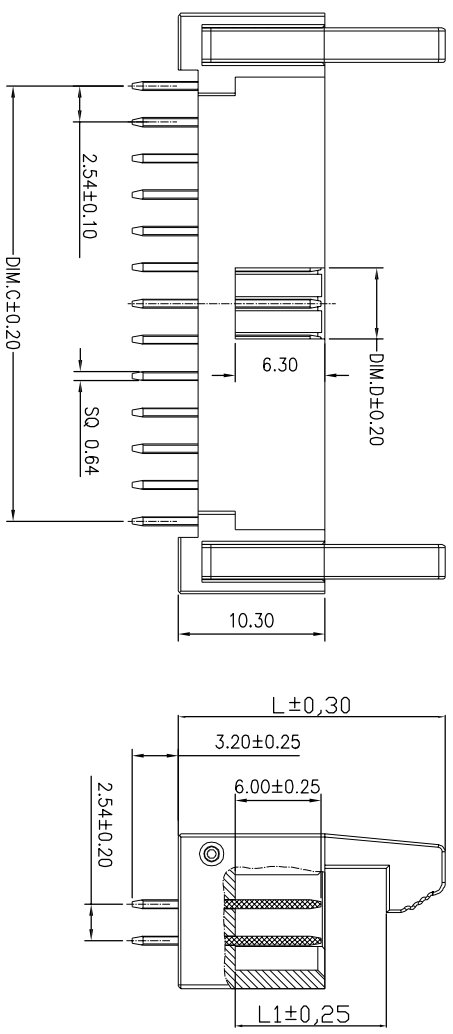
5

6

7



3D VIEW(REF.)
SCALE: 1:2



| DIM | Long Latch | Short Latch |
|-----|------------|-------------|
| L | 22.10 | 18.70 |
| L1 | 14.60 | 10.60 |

| No. Of POSITION | DIM.A | DIM.B | DIM.C | DIM.D |
|-----------------|-------|-------|-------|-------|
| 10 | 20.36 | 17.50 | 10.16 | 5.00 |
| 12 | 22.90 | 20.04 | 12.70 | 5.00 |
| 14 | 25.44 | 22.58 | 15.24 | 5.00 |
| 16 | 27.98 | 25.12 | 17.78 | 5.00 |
| 20 | 33.06 | 30.20 | 22.86 | 5.00 |
| 24 | 38.14 | 35.28 | 27.94 | 5.00 |
| 26 | 40.68 | 37.82 | 30.48 | 5.00 |
| 30 | 45.76 | 42.90 | 35.56 | 5.00 |
| 34 | 50.84 | 47.98 | 40.64 | 5.00 |
| 40 | 58.46 | 55.60 | 48.26 | 5.00 |
| 50 | 71.16 | 68.30 | 60.96 | 5.00 |
| 60 | 83.86 | 81.00 | 73.66 | 5.00 |
| 64 | 88.94 | 86.08 | 78.74 | 5.00 |

Recommended P. C. B Layout (Top Side)
(PCB BOARD TOLERANCE ± 0.05)

NOTES:

MATERIAL

1. Insulator Material: PA9T+30%GF(UL94V-0),Black
 2. Latch Material: PA9T+30%GF(UL94V-0),Black
 3. Contact Material : Brass
 3. Contact Plating : Gold Flash /Tin Over Ni
 4. Fixed Axle Material :Brass
 5. Fixed Axle Material : Nickel Plated
- ELECTRICAL
1. Current Rating : 3AMP
 2. Withstand Voltage : 500V AC/DC
 3. Contact Resistance : 20mΩ max
 4. Insulation Resistance: 1000MΩ min
- ENVIRONMENTAL
1. Operation Temperature: -40°C to +105°C
 2. Packing : Tray
- Order Code:
AWHW-254-xx-RP10 : Short Latch
AWHW-254-xx-RP12 : Long Latch

RoHS compliant

| Scale | Free | Date | Name |
|-----------|-------|------------|--------|
| TOLERANCE | | 09.02.2015 | Winnie |
| X.X | ±0.40 | | |
| X.XX | ±0.25 | 25.01.2018 | Winnie |
| X.XXX | ±0.15 | | |
| DIM | TOL | | |
| X° | ±3° | 25.09.2015 | Winnie |
| X.X° | ±X° | 09.02.2015 | Winnie |
| Angle | TOL | | |

| Id. | Modification | Date | Name |
|-----|--|------------|--------|
| ① | Cancel 6pins&&8pins | 25.09.2015 | Winnie |
| ② | Update the P/N &the latch on the drawing | 25.01.2018 | Winnie |
| ③ | Drawn | 09.02.2015 | Winnie |



Customer-No.
ASSMANN WSW-No. AWHW-254-xxRP10
AWHW-254-xxRP12

Drawing-No. ASS 6741 CO rev02

Replace Sheet

1

2

3

4

5

6

7

000000