

PC Board Layout
Component Side Shown

NOTES:

Characterstion Description:

1. RJ45 GIGA Base-Tx Transformer Jack with Transformer Impedance Resistor/High Voltage Capacitor
2. Size Same as RJ-45 Modular Jack to Save PCB Space
3. Reduce EMI Radiation, Improve EMI Performance
4. Designed for Network Interface Card Application
5. Designed to Meet IEEE 802.3u Requirement
6. Designed for 1000 Base Transmission over UTP-5 cable

Electrical Specifications:

1. Inductance at 100 KHz, 100 mV 8mADC Bias: 350 uH min.
2. Leakage Inductance 0.3 uH max. @100KHz 100mV
3. Insertion Loss: 1.1 dB max. @1-100 MHz
4. Return Loss: 18dB min. @1-30MHz
16dB min. @30-60MHz
12dB min. @60-80MHz
5. Cross Talk: 1-100MHz 30dB min.
6. Common Mode Rejection: 30dB min. @1-100MHz
7. Isolation Voltage @60Hz: 1500Vrms(Input To Output) 60 seconds

Mechanical:

1. Housing Material: Polyester UL94V-0 Black
2. Contact Material: Phosphor Bronze T=0.30mm
3. Plating: 30u" Gold over Nickel
4. Operating Life: 750 cycles min.
5. Shield Material: 0.20mm Thickness Brass
6. Shield Plating: Nickel plating
7. PCB Retention Pre.-Solder: 1 LB min.
8. PCB Retention Post-Solder: 10 LBS min.

Environmental:

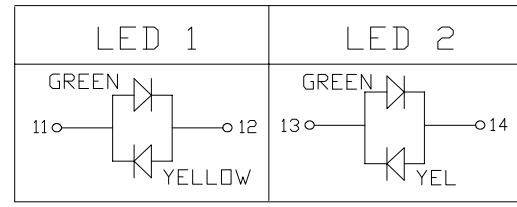
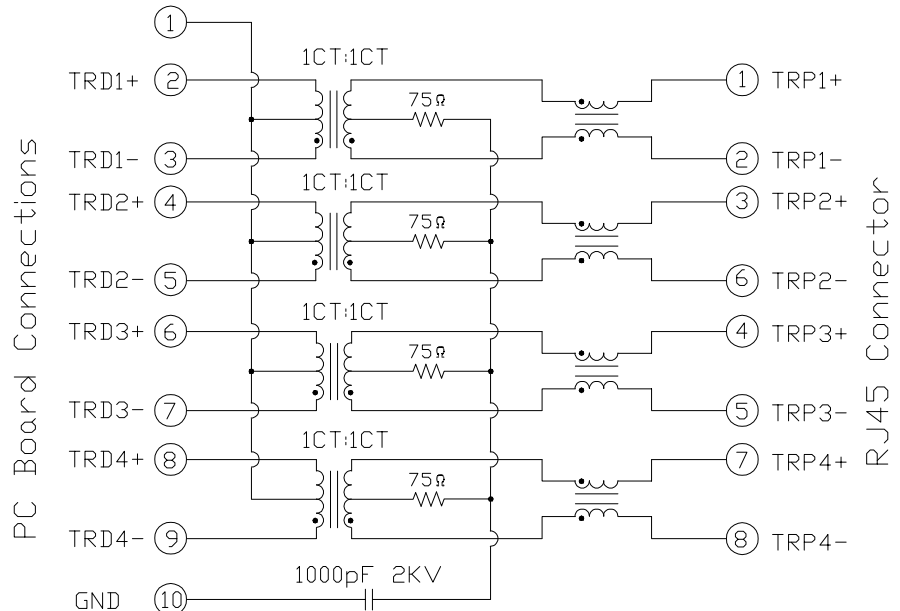
1. Storage: -40°C to +85°C
2. Operation: 0°C to +70°C
3. Wave Soldering Temperature: 235 ~ 255°C(3-5 seconds)
4. Packing: Tray

Mates with Modular Plug Conforming to TIA-1096-A

RoHS compliant
Unit:mm

Scale	Free						Date	Name	Customer-No.
TOLERANCE						Drawn	15.05.2015	Amy	
X.X	±0.20					Approved	15.05.2015	Amy	ASSMANN WSW-No.
X.XX	±0.15								AMJH-8-T-R-P47
X.XXX	±0.10								Drawing-No.
DIM	TOL								ASS 6835 CO
		©	Drawn	15.05.2015	Amy	ASSMANN WSW components			rev00
Angle	±5°	Id.	Modification	Date	Name			Replace	SHEET 1 / 2

Schematic:



RoHS compliant
Unit:mm

Scale	Free						Date	Name	Customer-No.
TOLERANCE						Drawn	15.05.2015	Amy	ASSMANN WSW-No. AMJH-8-T-R-P47
X.X	±0.20					Approved	15.05.2015	Amy	
X.XX	±0.15								
X.XXX	±0.10								
DIM	TOL								Drawing-No.
									ASS 6835 CO
		©	Drawn	15.05.2015	Amy	ASSMANN WSW components			rev00
Angle	±5°	Id.	Modification	Date	Name			Replace	SHEET 2 / 2