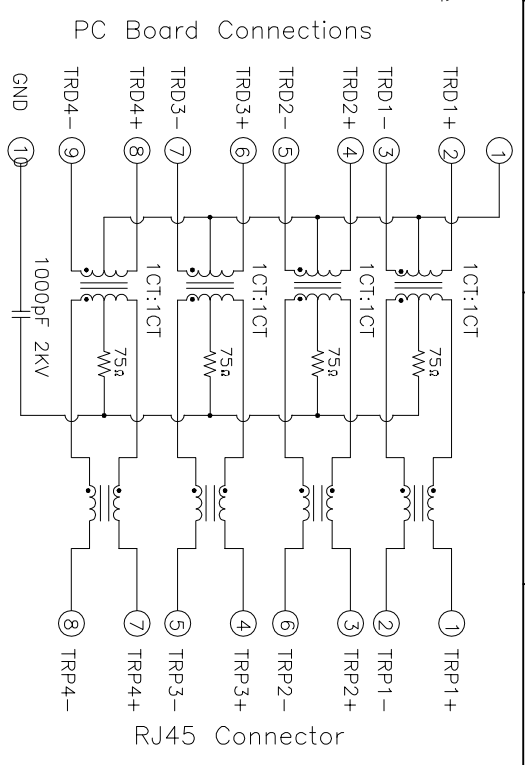


Schematic: GIGA



NOTES:

- Characteristics Description:**
1. RJ45 1000 Base-Tx Transformer Jack with Transformer Impedance Resistor/High Voltage Capacitor
 2. Size Same as RJ-45 Modular Jack to Save PCB Space
 3. Reduce EMI Radiation, Improve EMI Performance
 4. Designed for Network Interface Card Application
 5. Designed to Meet IEEE 802.3u Requirement
 6. Designed for 1000 Base Transmission over UTP-5 cable

Electrical Specifications:

1. Inductance At 100 KHz, 100 mV 8mADC Bias: 350 uH min.
2. Leakage Inductance 0.3 uH max. @100KHz 100mV
3. Insertion Loss: 1.1 dB max. @1-100 MHz
4. Return Loss: 18dB min. @1-30MHz
16dB min. @30-60MHz
12dB min. @60-80MHz
5. Cross Talk: 30dB min. 1-100MHz
6. Common Mode Reflection: 30dB min. @1-100MHz
7. Isolation Voltage @60Hz: 1500Vrms/(Input to Output) 60 sec.

Mechanical:

1. Housing Material: Polyester UL94V-0 Color: Black
 2. Contact Material: Phosphor Bronze T=0.30mm
 3. Plating: 6u" Gold on contact area 100~200u" Tin on solder area all over 30~80u" Nickel
 4. Shield Material: Brass T=0.20mm
 5. Shield Plating: Nickel plating
 6. Operating Life: 750 cycles min.
- Environmental:**
1. Storage: -40°C to +85°C
 2. Operation: 0°C to +70°C
 3. Wave soldering temperature: 235~255°C (3~5Seconds)
4. Packing: Tray
- Mates with Modular Plug Conforming to TIA-1096-A

RoHS compliant
Unit: mm

| Scale | Free | | | | |
|------------------|------------|---|----------|--------------|-----|
| TOLERANCE | | | | | |
| .X | ±0.20 | | Drawn | 30.11.2015 | Amy |
| .XX | ±0.15 | | | | |
| .XXX | ±0.10 | | Approved | 30.11.2015 | Amy |
| DIM | TOL | | | | |
| Angle | ±5° | | | | |
| | | Ⓢ | Drawn | 30.11.2015 | Amy |
| | | | Id. | Modification | |

Customer-No.

ASSMANN WSW-No. **AMJH-10-T-R-P65**

Drawing-No.

ASS 7063 CO rev00

Replace

Sheet

| 1 | 2 | 3 | 4 | 5 | 6 | 7 |
|---|---|---|---|---|---|---|
| | | | | | | |

