

1

2

3

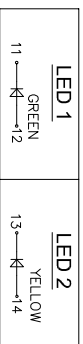
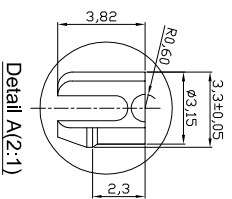
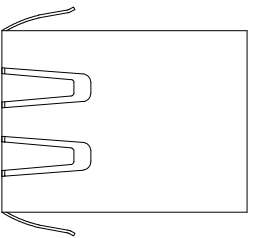
4

5

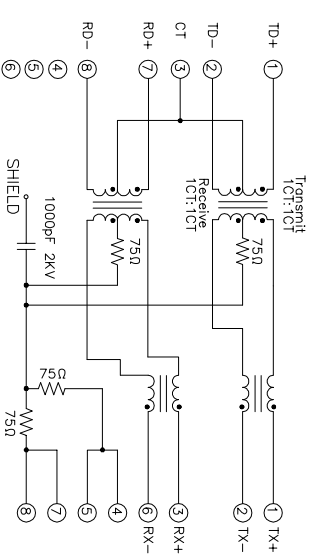
6

7

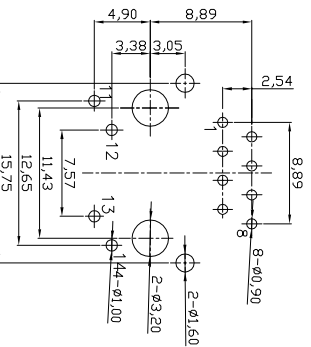
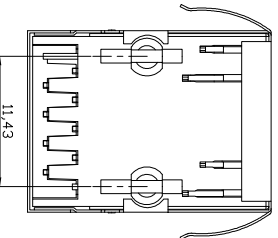
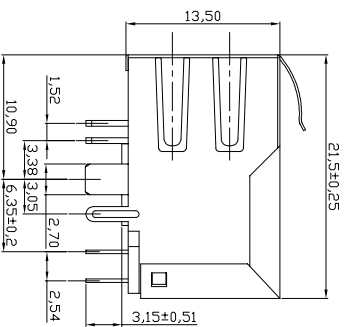
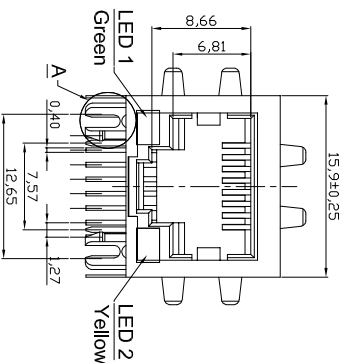
A



Schematic:



15.94±0.25



PC Board Layout Component Side Shown

NOTES:

Characteristics Description:

1. RJ45 Transformer Jack with Transformer
2. Impedance Resistor/High Voltage Capacitor
3. Size Same as RJ-45 Modular Jack to Save PCB Space
4. Reduce EMI Radiation, Improve EMI Performance
5. Designed for Network Interface Card Application
6. Designed to Meet IEEE 802.3u Requirement

Electrical Specifications:

1. Inductance At 100 KHz: 100 mV 8mA DC Bias: 350 uH min.
2. Leakage Inductance 0.3 uH max. @100KHz 100mV
3. Insertion Loss: 1.1 dB max. @1-100 MHz
4. Return Loss: 18dB min. @1-30MHz
16dB min. @30-60MHz
12dB min. @60-80MHz
5. Cross Talk: 30dB min. 1-100MHz
6. Common Mode Rejection: 30dB min. @1-100MHz
7. Isolation Voltage @60Hz: 1500Vrms(Input to Output) 60 sec.
8. Voltage Rating: 30VDC
9. Current Rating: 8mA DC

Mechanical:

1. Housing Material: PBT UL94V-0 Black
2. Insert Material: PBT+30%G.T UL94V-0 Black
3. Contact Material: Phosphor Bronze
T=0.35mm
4. Plating: 6u" Gold on contact area
100~200u" Tin on solder area
all over 30~80u" Nickel
5. Shield Material: Brass T=0.20mm
6. Shield Plating: Nickel plating
7. Operating Life: 750 cycles min.

Environmental:

1. Storage: -40°C to +85°C
2. Operation: 0°C to +75°C
3. Wave soldering temperature: 235~255°C
(3~5Seconds)
4. Packing: Tray

Mates with Modular Plug Conforming to TIA-1096-A

RoHS compliant
Unit: mm

1

2

3

4

5

6

7

Scale

Free

TOLERANCE

.X

.XX

.XXX

DIM

Angle

±5°

Id.

Modification

Date

Name

Date

Name

Date

Name

Customer-No.

Date

Name

Date

Name

Date

Name

Date

Name

Date

Name

ASSMANN WSW-No.

Drawing-No.

Replace

Drawing-No.

Replace

Drawing-No.

Replace

Drawing-No.

Replace

Drawing-No.

Replace

ASSMANN WSW-No.

Drawing-No.

Replace

Drawing-No.

Replace

Drawing-No.

Replace

Drawing-No.

Replace

Drawing-No.

Replace

ASSMANN WSW-No.

Drawing-No.

Replace

Drawing-No.

Replace

Drawing-No.

Replace

Drawing-No.

Replace

Drawing-No.

Replace

ASSMANN
WSW components

ASS 7065 CO rev00

AMUH-8-T-R-P67

Replace

Sheet