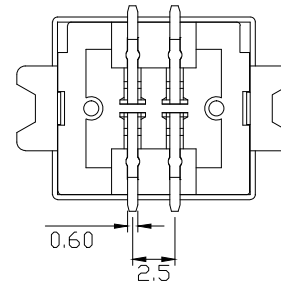
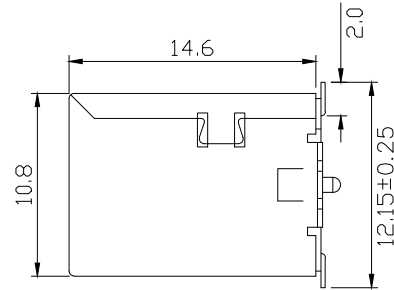
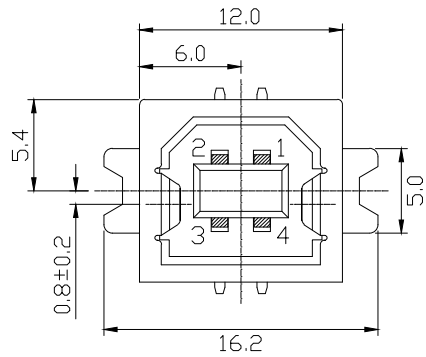
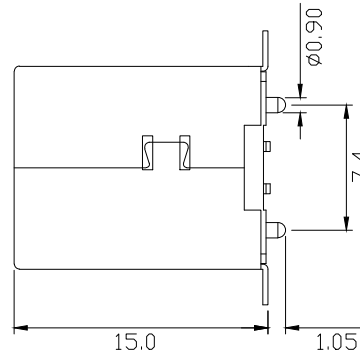
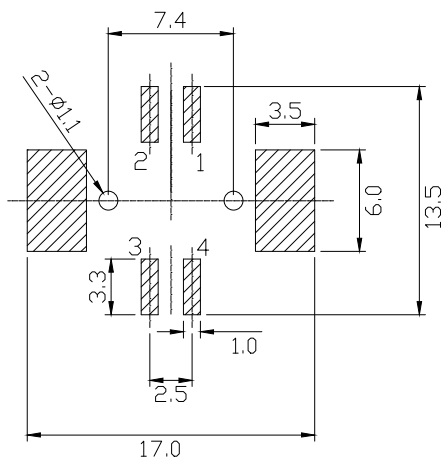


① **USB2.0 COMPLIANT**




Specification:
 Contact Resistance: 30m Ohm Max.
 Insulation Resistance: 1000M Ohm Min. At 500VDC.
 Rated Voltage And Current: 1.5A At 250VAC Minimum.
 Dielectric Withstanding Voltage:
 500V AC (rms) for 1 Minute(Rev. 2.0)
 Durability (Life Test): 1500 Cycles
 Insertion Force: 35 Newton Maximum.
 Extraction Force: 10 Newton Minimum.

Material:
 HOUSING: NYLON PA9T G.F. BLACK
 CONTACT: PHOS. BRONZE T:0.25
 GOLD/TIN PLATED Gold:30u"; NI:40~60u"; TIN:120u"
 SHELL: BRASS T:0.3 NI:80~120u"



PCB LAYOUT
 (COMPONENT SIDE)

RoHS compliant
 unit:mm

Scale	FREE					Date	Name	Customer-No.	
TOLERANCE					Drawn	15.02.2016	Joanna	ASSMANN WSW-No. AUSB2-BFN-HSP1	
X.	±0.38				Approved	15.02.2016	Joanna		
X.X	±0.25								
X.XX	±0.13							Drawing-No.	
DIM	TOL	①	Update	12.08.2019	Xavier			ASS 7125 CO	rev00
X.°	±5°	②	Drawn	15.02.2016	Joanna			Replace	Sheet 1 of 1
Angle	TOL	Id.	Modification	Date	Name				