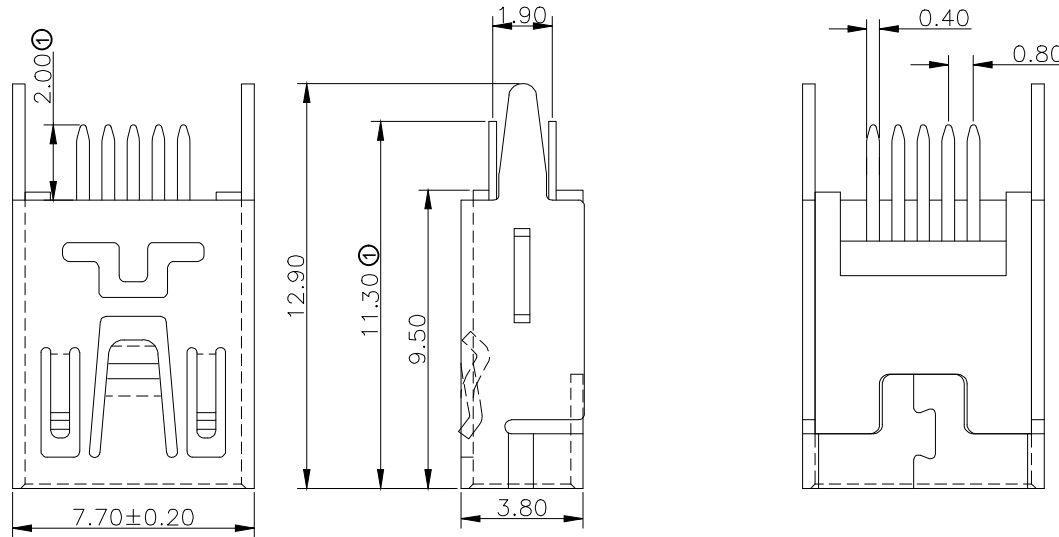
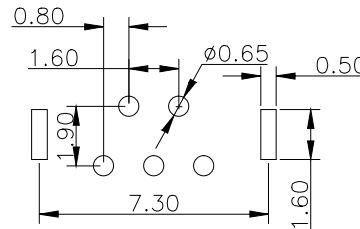
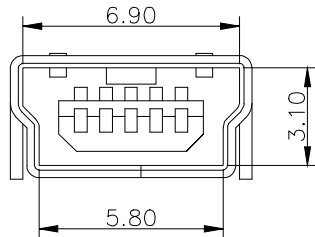


② **USB2.0 COMPLIANT**



NOTES:

1. Material:
 - 1.1 Housing: LCP+30%GF UL94V-0, Color Black
 - 1.2 Shell: Brass T=0.40mm
 - 1.3 Contact :Brass T=0.25mm
2. FINISH:
 - 2.1 Contact Area: Gold Flash
Solder Area: Tin Plated
Under: Ni Plated
 - 2.2 Shell: 80u"Min Ni Plated
3. MECHANICAL:
 - 3.1 Mating Force: 3.0kgf Max.
 - 3.2 Unmating Force: 0.7kgf Min
 - ③ 3.3 Durability: 5000 cycles min
4. ELECTRICAL:
 - ④ 4.1 Current Rating: 1.8A Max
 - 4.2 Dielectric Strength: 300V AC FOR 1 MINUTE
 - 4.3 Contact Resistance: 50mΩ Max
 - 4.4 Insulation Resistance: 100 MΩ Min
 - ③ 4.5 Voltage Rating: 30VAC
5. Operating temperature: -55°C TO +85°C
- ③ Soldering temperature: 235°C, 5s min
6. PACKING: Tray



RoHS compliant
Unit: mm

Scale	Free						Date	Name	Customer-No.	
TOLERANCE		④	Update current rating	12.05.2020	Luca	Drawn	30.12.2016	Winnie	ASSMANN WSW-No. AUSB2-BFM-HTP	
.X	±0.30	③	Update	14.11.2019	Carson	Approved	12.05.2020	Luca		
.XX	±0.20	②	Update	14.08.2019	Xavier					
.XXX	±0.10	①	Update the dimension	11.05.2017	Winnie				Drawing-No.	
DIM	TOL	①	Update the dimension	11.05.2017	Winnie	ASSMANN WSW components			ASS 7466 CO	rev04
Angle	±1°	①	Update the dimension	11.05.2017	Winnie				Replace	Sheet
		①	Drawn	30.12.2016	Winnie					
		Id.	Modification	Date	Name					