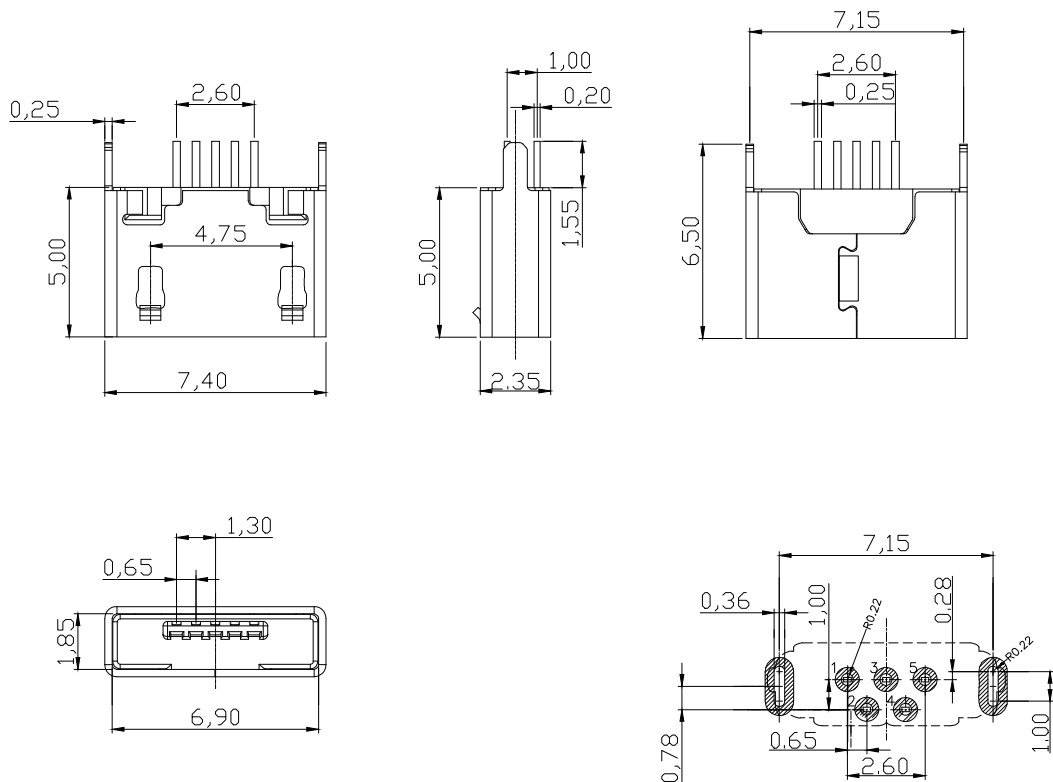


② USB2.0 COMPLIANT




RECOMMENDED P.C.B LAYOUT

Notes:

1. Material:
 - 1.1 Housing: LCP+30%GF UL94V-0 BLACK.
 - 1.2 Contact: PHOSPHOR BRONZE, t=0.15mm, Contact area: Gold Flash.
 - 1.3 Shell: SUS201, t=0.25mm, Ni-plated.
2. Specification:
 - ④ 2.1 Current rating: 1.8A Max.
 - 2.2 Dielectric withstanding voltage: 100V(ac) for 1 Min.
 - 2.3 Contact resistance: 30mΩ, Max. ①
 - 2.4 Insulation resistance: 100MΩ, Min. ①
 - ③ 2.5 Voltage Rating: 30VAC
 - 2.6 Total mating force: 3.57 Kgf Max.
 - 2.7 Total unmating force: 1.0 Kgf Min.
 - ③ 2.8 Mating cycle: 10000 cycles min.
 - 2.9 Temperature range: -30°C~80°C.
 - ③ 3.0 Soldering temperature: +235 °C, 5s max
4. Packing: Tape& Reel

RoHS compliant
Unit: mm

Scale	Free					Date	Name	Customer-No.
TOLERANCE		④	Update current rating	12.05.2020	Luca	Drawn	02.11.2018	Fred
X.X	±0.30	③	Update	15.11.2019	Carson	Approved	12.05.2020	Luca
X.XX	±0.20	②	Update	15.08.2019	Xavier			
X.XXX	±0.10	①	Update the P/N and notes	06.11.2018	Segal			
DIM	TOL	①	Update the P/N and notes	06.11.2018	Segal			
X.X°	±3°	①	Drawn	24.08.2017	Fred	Drawing-No. ASS 7755 CO		rev04
X.XX°	±2°	①	Drawn	24.08.2017	Fred	Replace		Sheet
Angle	TOL	Id.	Modification	Date	Name			